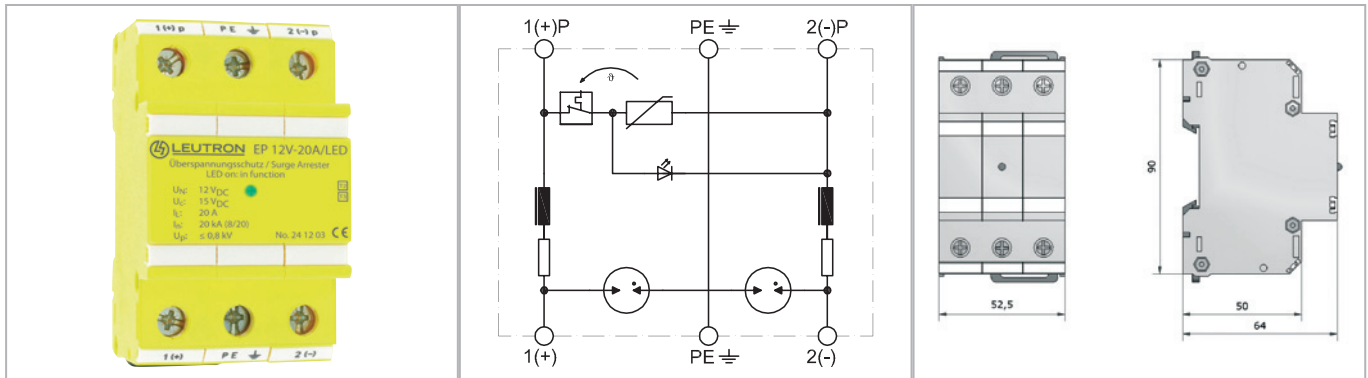


Datasheet

Surge protection for power supply systems

DC Power Supply / EnerPro



Two-pole SPD for operating current up to 20 A in looped-in wiring, with disconnection device without interruption of the power supply. A very low protection level allows the use as SPD class III.

- Surge voltage protection for electrical and electronic devices
- Arrester status control display: LED green (readiness: on)

Technical Data		EP 12V-20A/LED
IEC category/EN type		Type 2 / class II
Rated voltage DC (1-2/1p-2p)	UN	12 V
Rated voltage (between 1-2 resp. 1p-2p) AC	UN	8 V
Max. operating voltage DC (1-2 / 1p-2p)	Uc	15 V
Max. operating voltage AC (1-2 / 1p-2p)	Uc	10 V
Max. operating current	IL	20 A
Protection level line-line at 1 kV/μs and limp	Up	≤ 80 V
Response time	tA	25 ns
Short-circuit current extinguishing capacity line-line		≤ 6 A
Short-circuit current extinguishing capacity line-earth		≤ 1 A
Nominal discharge current L1, L2-PE (8/20μs)	In	20 kA
Max. impulse discharge current L1, L2-PE (8/20 μs)	Imax	40 kA
Max. impulse discharge current L1+L2-PE (8/20μs)	Imax	80 kA
Operating temperature range	TU	-40 - +80 °C
Conductor cross section		Cu, solid 50mm ² /flexible 35mm ² with sleeve
Max. locking torque for terminals		4,0 Nm
Dimensions (L x W x H)		64 x 90 x 52,5 mm
Degree of protection (IEC EN 60529)		IP 20
Enclosure material / colour		polycarbonate (halogen-free) UL 94-V0 / yellow
Mounting on		35 mm DIN rail (EN 60715)

Order Data

Product	EP 12V-20A/LED
Article-No.	24 12 03