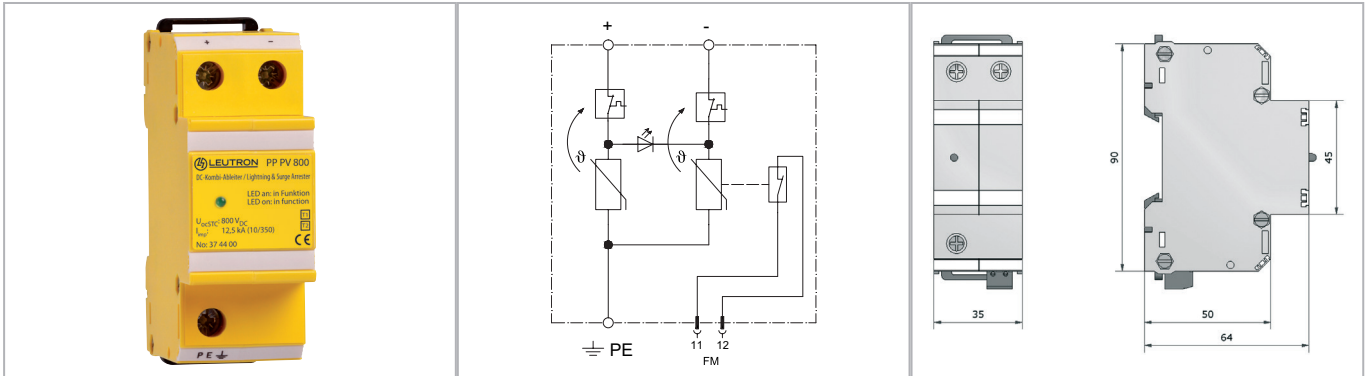


Datasheet

Surge protection of power supply

Surge arresters for Photovoltaic Installations



When applied in PV installations, these devices are placed inside the connection box of the solar generator and on the DC side of the inverter.

- Two-pole combined lightning current and surge arrester dc, class I and II.
- Applicable at the LPZ transition point OA-1 and higher
- Test standard: IEC 61643-11 / EN 61643-11
- Mounting on 35 mm DIN rail (EN 60715)
- With remote signalling contact (FM)

Technical Data		PP PV 800/FM
IEC category		Type 1 + 2 / class I+II
PV voltage	UocSTC	800 V=
Max. continuous operating voltage DC	Uc	850 V=
Protection level at In	Up	≤ 2,2 kV
Protection level at 5 kA	Up	≤ 1,8 kV
Response time	tA	≤ 25 ns
Lightning impulse current (10/350 μs) per pole	Iimp	12,5 kA
Max. impulse discharge current (8/20)	Imax	40 kA
Operating temperature range	TU	-40 - +80 °C
Min. conductor cross section at terminals		10 mm ²
Max. conductor cross section		35mm ² stranded/25mm ² flexible
Max. connection torque for terminals		4,0 Nm
Enclosure material / colour		polycarbonate (halogen-free) UL 94-V0 / yellow
Degree of protection (IEC EN 60529)		IP 20
Dimension (DIN 43880)		2 TE (35 mm)
FM contact / contact type		break contact
Switching capacity		250 V/2 A
Max. conductor cross section FM		1,5 mm ²
Max. locking torque FM terminals		0,25 Nm

Order Data	
Product	PP PV 800/FM
Article-No.	37 44 01