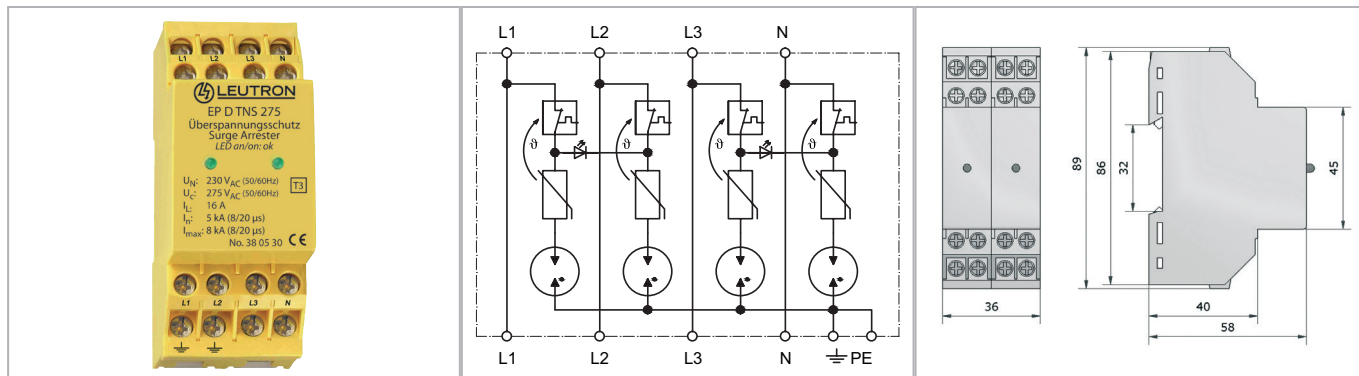


Datasheet

Surge protection of power supply

SPD type 3 for AC power supplies



Compact 4-pole surge arrester, e.g. for 3-phase TN-S systems. The SPD is applicable at the transition 2-3 according to the lightning protection zones concept.

- Test standard: IEC 61643-11 / EN 61643-11
- Line function and equipment control by LED
- leakage current free
- Possible with parallel or spur wiring for 16 A
- Optional remote signalling contact (FM)

| Technical Data | | EP D TNS 275 |
|--|------|--|
| IEC category | | Type 3 / class III |
| Nominal voltage AC | UN | 230 V~ |
| Max. continuous operating voltage AC (50/60Hz) | Uc | 275 V~ |
| Rated load current | IL | 16 A |
| Protection level L-N | Up | ≤ 1,0 kV |
| Protection level L/N-PE | Up | ≤ 1,5 kV |
| Nominal discharge current (8/20) | In | 5 kA |
| Max. impulse discharge current (8/20) | Imax | 8 kA |
| Response time L-N/L,N-PE | | ≤ 25/≤ 50 ns |
| Max. allowed fuse or back-up fuse | | 16 A gL/gG |
| Operating temperature range | TU | -40 - +80 °C |
| Max. conductor cross section | | 2x 2,5 mm ² solid / 2x 1,5 mm ² stranded |
| Max. connection torque for terminals | | 1,5 Nm |
| Enclosure material / colour | | polycarbonate (halogen-free) UL 94-V0 / yellow |
| Degree of protection (IEC EN 60529) | | IP 20 |
| Mounting on | | 35 mm DIN rail (DIN EN 60715) |

| Order Data | |
|-------------|--------------|
| Product | EP D TNS 275 |
| Article-No. | 38 05 30 |