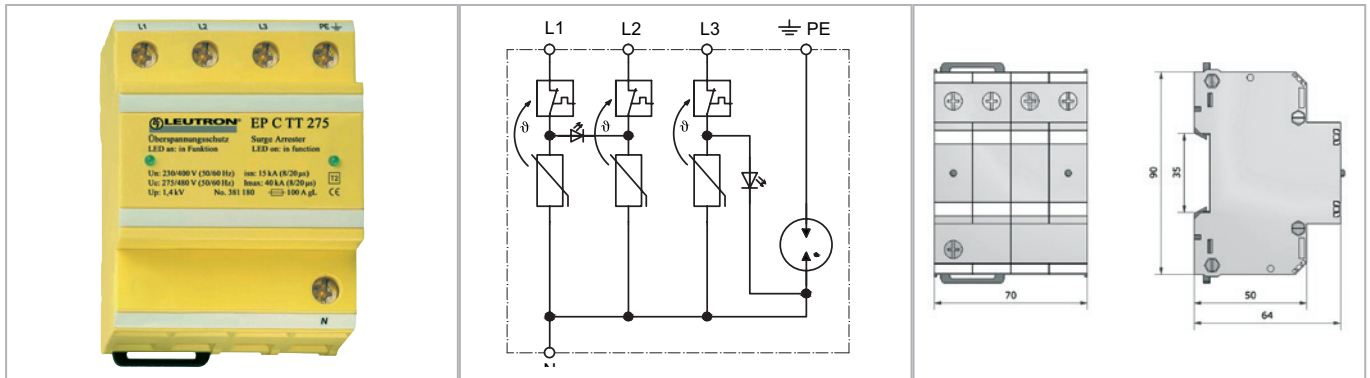


Datasheet

Surge protection for power supply systems

SPD type 2 (class II) for AC power supplies / EnerPro C



Compact and leakage-current free 4-pole surge arrester, e.g. for a 3-phase TT and TN-S system.

- Monitoring of conductor and arrester
- Optional remote signalling contact (FM)

Technical Data	EP CTT 275	
Nominal alternating voltage (50/60Hz)	UN	230/400 V~
Max. continuous operating voltage AC (50/60Hz)	Uc	275/480 V~
Protection level at 5 kA	Up	≤ 1,0 kV
Protection level at In	Up	≤ 1,4 kV
Response time	tA	<25 ns
Nom. discharge current (8/20 μs) line-earth	In	15 kA
Critical discharge current (8/20 μs)	Imax	40 kA
Lightning impulse current (10/350 μs) [N-PE]	Iimp	12,5 kA
Max. allowed fuse or back-up fuse	IL	125 A gL/gG
Operating temperature range	TU	-40 - +80 °C
Max. conductor cross section		stranded 35/fine stranded 25 mm ²
Recommended conductor cross section		16 mm ²
Max. connection torque for terminals		4,0 Nm
Enclosure material / colour		polycarbonate (halogen-free) UL 94-V0 / yellow
Degree of protection (IEC EN 60529)		IP 20
Mounting on		35 mm DIN rail (DIN EN 50 022)

Order Data	
Product	EP CTT 275
Article-No.	38 11 80