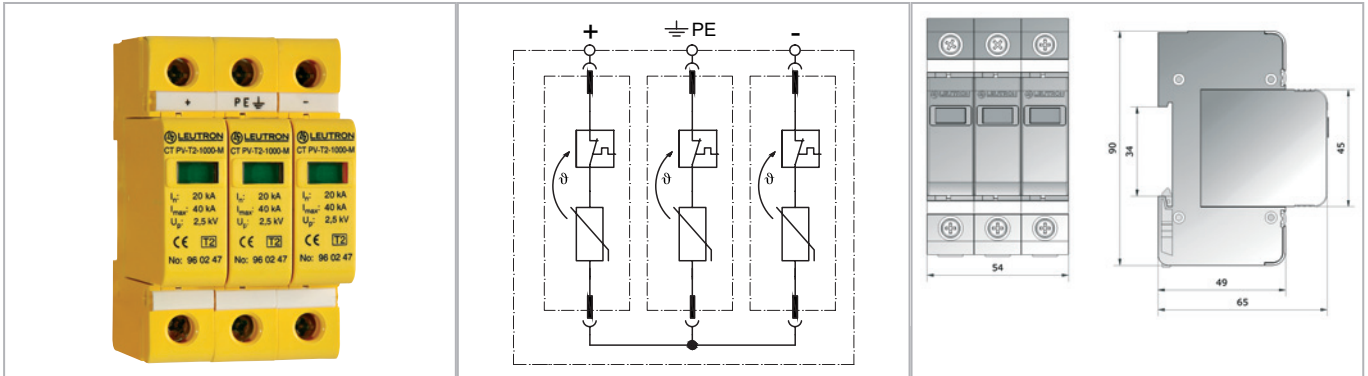


Datasheet

Surge protection for power supply systems

SPD type 2 for DC power supplies (Photovoltaic application)



Fully pluggable surge protective arrester for the use in photovoltaic applications. Suitable for insulated and earthed photovoltaic applications with system voltages up to 1000V DC.

- Applicable at the boundaries LPZ 0B - 1 and higher
- Test standard: IEC 61643-1 / EN 61643-11
- Vibration test standard: DIN EN 60068-2-6, IEC 60068-2-6
- Shock test standard: DIN EN 60068-2-27, IEC 60068-2-27
- Mounting on 35 mm DIN rail
- Degree of protection according to IEC EN 60529: IP 20
- Inflammability class according to UL 94 V0
- Space required for installation: 54 mm
- Optional remote changeover contact

Technical Data		CT PV-T2/2+1/1000
IEC category/EN type		Type 2 / class II
Open-circuit voltage	UOC max.	≤ 1000 V=
Max. continuous operating voltage DC	Uc	1000 V=
Max. short-circuit current	ISC max.	tbd.
Nominal discharge current (8/20)	In	20 kA
Max. impulse discharge current (8/20µs)	Imax	40 kA
Protection Level L+-L-	Up	5 kV
Protection level L+/L--PE	Up	5 kV
Operating temperature range	TU	-40 - +80 °C
Min. conductor cross section at terminals		1.5mm ² solid/flexible
Max. conductor cross section		35mm ² stranded/25mm ² flexible
Dimension (DIN 43880)		3 TE
Composed of: number of moduls		3x 96 02 47

Order Data	
Product	CT PV-T2/2+1/1000
Article-No.	96 02 26

Accessories	
Product	CT PV-T2-1000-M
Article-No.	96 02 47

Replacement protective plug for DC surge arresters type 2.