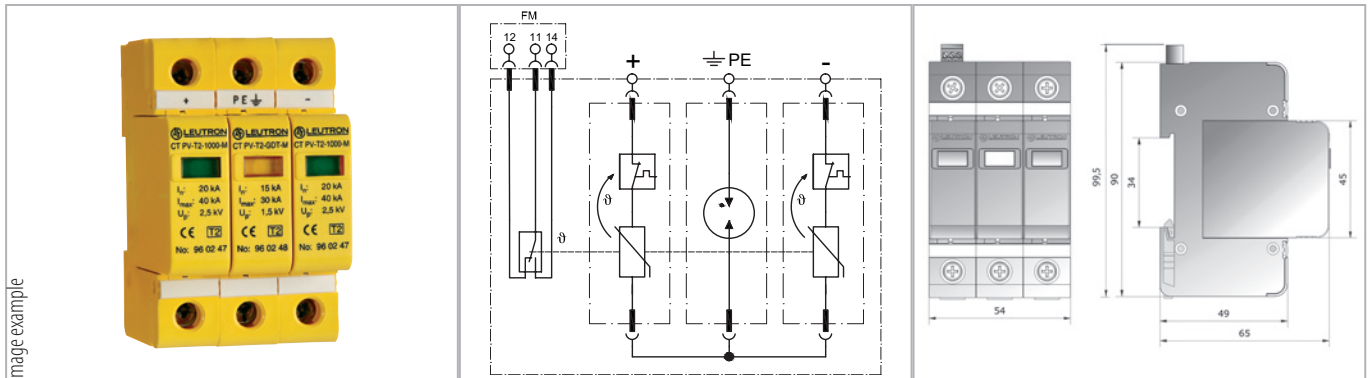


Datasheet

Surge protection for power supply systems

SPD type 2 for DC power supplies (Photovoltaic application)



Fully pluggable and leakage-free surge protective arrester for the use in photovoltaic applications. Suitable for insulated photovoltaic applications with system voltages up to 1000 V DC.

- Applicable at the boundaries LPZ 0B - 1 and higher
- Leakage current-free
- Test standard: IEC 61643-1 / EN 61643-11
- Vibration test standard: DIN EN 60068-2-6, IEC 60068-2-6
- Shock test standard: DIN EN 60068-2-27, IEC 60068-2-27
- Mounting on 35 mm DIN rail
- Degree of protection according to IEC EN 60529: IP 20
- Inflammability class according to UL 94 V0
- Space required for installation: 54 mm
- With remote changeover contact (FM)

Technical Data

CT PV-T2/2+GDT/1000-FM

IEC category/EN type		Type 2 / class II
Open-circuit voltage	UOC max.	≤ 1000 V=
Max. continuous operating voltage DC	Uc	1000 V=
Max. short-circuit current	ISC max.	tbd.
Nominal discharge current (8/20)	In	20 kA
Max. impulse discharge current (8/20μs)	Imax	40 kA
Protection Level L+-L-	Up	5 kV
Protection Level L+/L--PE	Up	3 kV
Operating temperature range	TU	-40 - +80 °C
Min. conductor cross section at terminals		1.5mm ² solid/flexible
Max. conductor cross section		35mm ² stranded/25mm ² flexible
Dimension (DIN 43880)		3 TE
Max. operating voltage remote contact		250 V AC/125 V DC
Max. operating current remote contact		1 A AC/200 mA DC
Composed of: number of moduls		2x 96 02 47/ 1x 96 02 48

Order Data

Product	CT PV-T2/2+GDT/1000-FM
Article-No.	96 02 31

Accessories

Product	CT PV-T2-1000-M	CT PV-T2-GDT-M
Article-No.	96 02 47	96 02 48

Replacement protective plug for DC surge arresters type 2.