

Type N F/F Coaxial RF Surge Protector, 40MHz - 400MHz, 100W, IP67, -6 V Max., 2.5mJ, 20kA, Hybrid, Bracket Down, Stud



BGXZ-60NFNF-CNS

Features

- Surge current of 20kA
- Max Power 100W
- Frequency range from 40 to 400MHz
- N-type female connectors
- Waterproof IP67 rated
- DC Pass
- VSWR <1.1:1
- Low insertion loss
- CE & RoHS compliant

Applications

- GPS systems
- Active antenna systems

Description

RF surge protector (also known as lightning arrester or surge arrester) BGXZ-60NFNF-CNS from PolyPhaser, utilizes a patented hybrid protection technology integrating a silicon avalanche suppression diode (SASD), a Metal Oxide Varistor (MOV) and a gas tube (GT or GDT). This RF surge protector component is manufactured in a coaxial in-line design with wide operating frequency range. All PolyPhaser RF surge protector products are available in stock with same day shipping.

Electrical Specifications

Surge Protector Type
DC Handling

Hybrid
DC Pass

Description	Minimum	Typical	Maximum	Units
Frequency Range	40		400	MHz
Impedance		50		Ohms
VSWR			1.1:1	
Insertion Loss			0.25	dB
Operating Voltage (DC)			-6	Volts
Input Power, CW			100	Watts
Surge Current IEC 61000-4-5 8/20µs WAVEFORM			20	kA
Turn On Voltage		66		Volts
Throughput Energy FOR 3kA, 8/20µs WAVEFORM			2.5	mJ

Click the following link (or enter part number in "SEARCH" on website) to obtain additional part information including price, inventory and certifications:
[Type N F/F Coaxial RF Surge Protector, 40MHz - 400MHz, 100W, IP67, -6 V Max., 2.5mJ, 20kA, Hybrid, Bracket Down, Stud BGXZ-60NFNF-CNS](#)

Type N F/F Coaxial RF Surge Protector, 40MHz - 400MHz, 100W, IP67, -6 V Max., 2.5mJ, 20kA, Hybrid, Bracket Down, Stud



BGXZ-60NFNF-CNS

Mechanical Specifications

Size

Length	3.65 in [92.71 mm]
Height	3.01 in [76.45 mm]
Weight	0.95 lbs [430.91 g]

Configuration

Input Connector	N Female
Output Connector	N Female

Environmental Specifications

Temperature

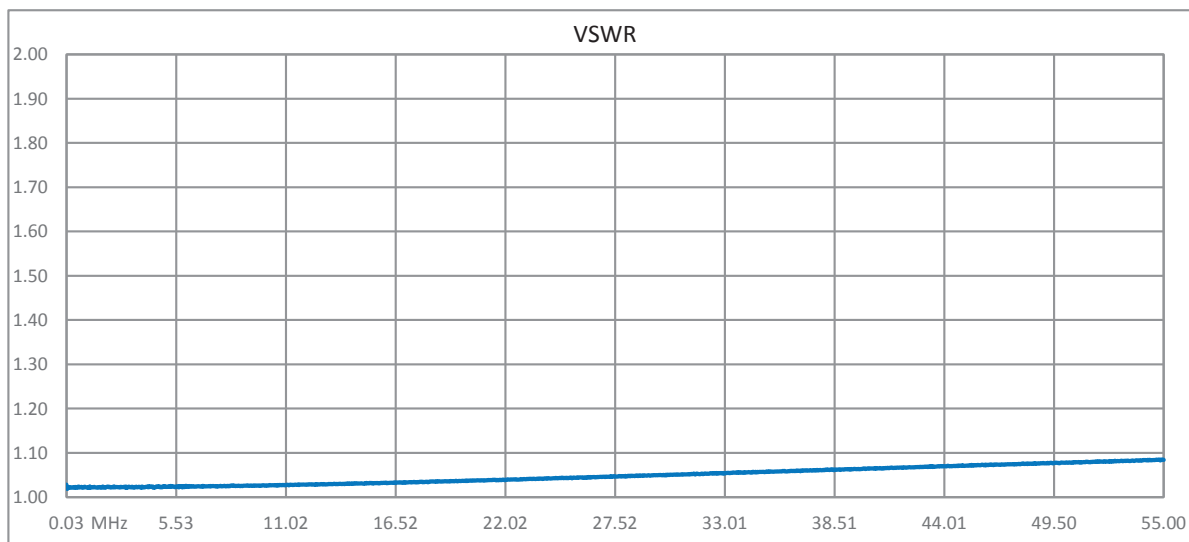
Operating Range	-50 to 85 deg C
Ingress Protection (IP) Rating	IP67
Humidity	95%

Compliance Certifications (see [product page](#) for current document)

Plotted and Other Data

Notes:

Typical Performance Data



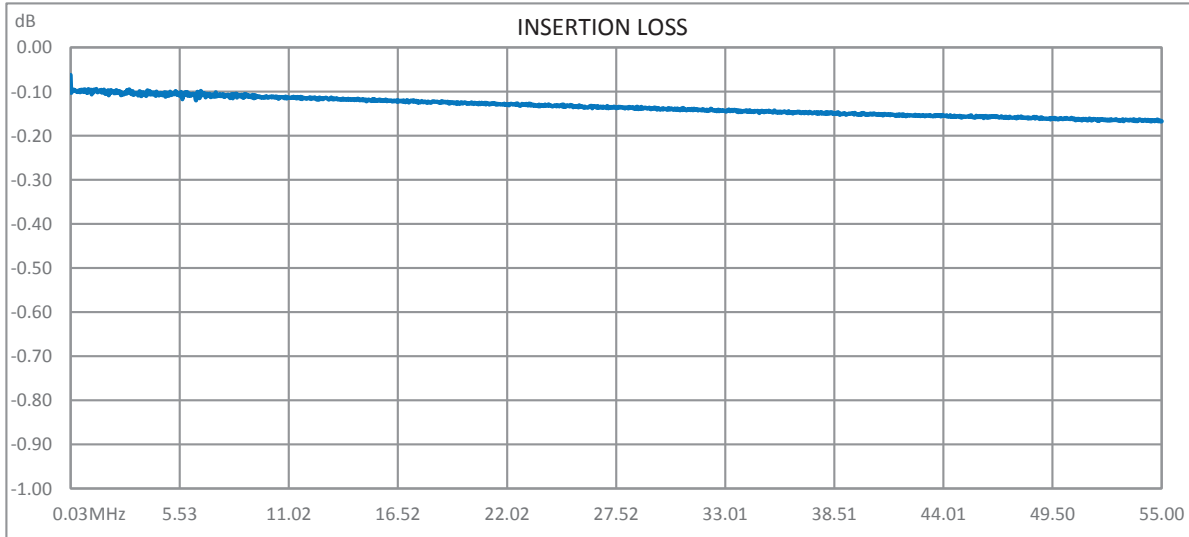
Click the following link (or enter part number in "SEARCH" on website) to obtain additional part information including price, inventory and certifications:
[Type N F/F Coaxial RF Surge Protector, 40MHz - 400MHz, 100W, IP67, -6 V Max., 2.5mJ, 20kA, Hybrid, Bracket Down, Stud BGXZ-60NFNF-CNS](#)



Type N F/F Coaxial RF Surge Protector, 40MHz - 400MHz, 100W, IP67, -6 V Max., 2.5mJ, 20kA, Hybrid, Bracket Down, Stud



BGXZ-60NFNF-CNS



PolyPhaser protects and increases the reliability of global RF communications networks, including transportation, telecommunications, defense, security and industrial applications, with superior RF surge protection technologies including DC Block, DC Pass and Ultra Low PIM. Backed by responsive service and expert technical support PolyPhaser continually expands its product offering and services to serve engineers' urgent needs for RF components in mission critical communication networks.

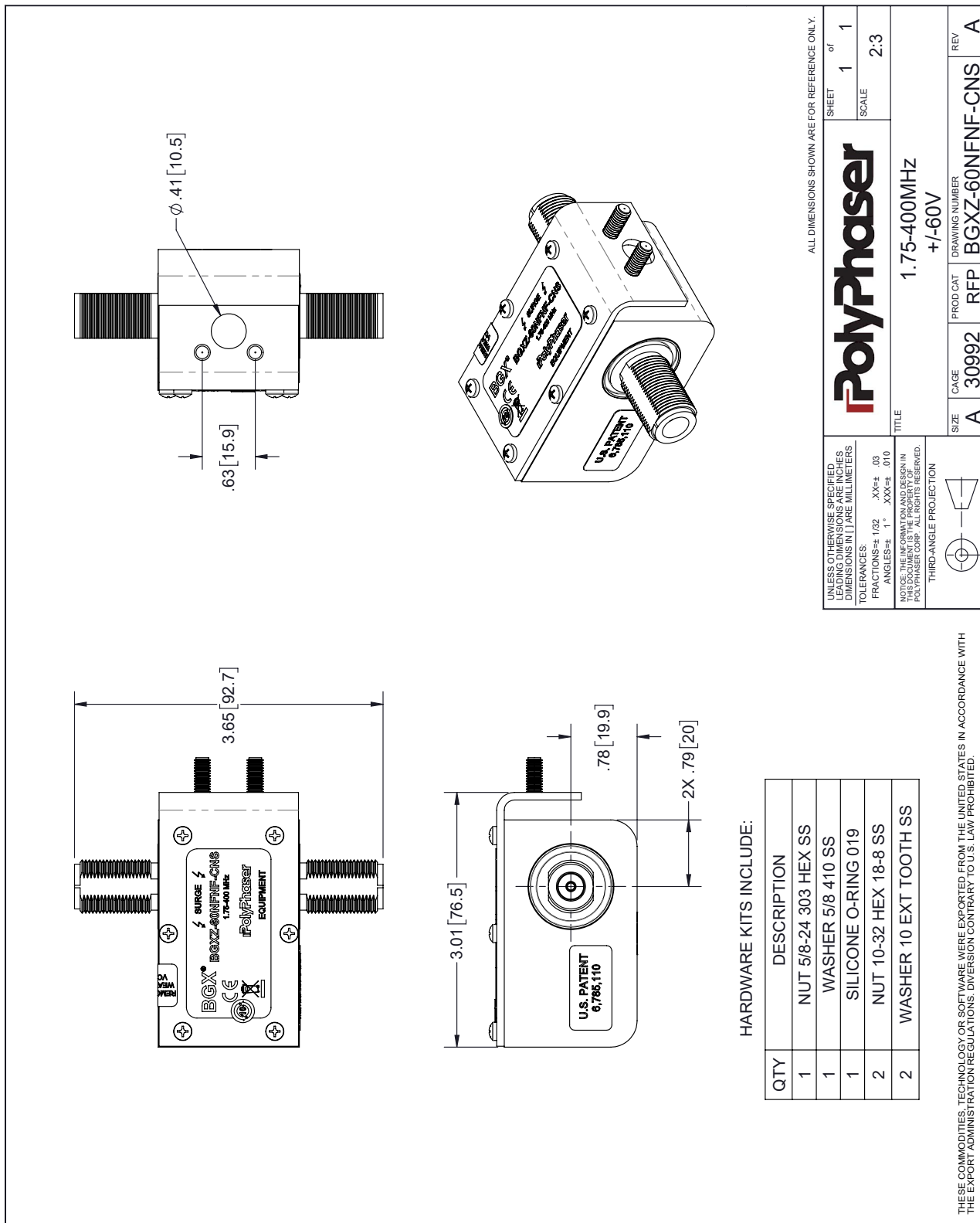
Click the following link (or enter part number in "SEARCH" on website) to obtain additional part information including price, inventory and certifications: [Type N F/F Coaxial RF Surge Protector, 40MHz - 400MHz, 100W, IP67, -6 V Max., 2.5mJ, 20kA, Hybrid, Bracket Down, Stud BGXZ-60NFNF-CNS](#)

URL: <https://www.polyphaser.com/type-n-surge-protector-400mhz-hybrid-stud-bgxz-60nfnf-cns>

The information contained in this document is accurate to the best of our knowledge and representative of the part described herein. It may be necessary to make modifications to the part and/or the documentation of the part, in order to implement improvements. PolyPhaser reserves the right to make such changes as required. Unless otherwise stated, all specifications are nominal. PolyPhaser does not make any representation or warranty regarding the suitability of the part described herein for any particular purpose, and PolyPhaser does not assume any liability arising out of the use of any part or documentation.

Type N F/F Coaxial RF Surge Protector, 40MHz - 400MHz, 100W, IP67,
 -6 V Max., 2.5mJ, 20kA, Hybrid, Bracket Down, Stud

BGXZ-60NFNF-CNS CAD Drawing



HARDWARE KITS INCLUDE:

QTY	DESCRIPTION
1	NUT 5/8-24 303 HEX SS
1	WASHER 5/8 410 SS
1	SILICONE O-RING 019
2	NUT 10-32 HEX 18-8 SS
2	WASHER 10 EXT TOOTH SS

ALL DIMENSIONS SHOWN ARE FOR REFERENCE ONLY.

PolyPhaser

1.75-400MHZ
 +/-60V

UNLESS OTHERWISE SPECIFIED
 LEADING DIMENSIONS ARE IN INCHES
 DIMENSIONS IN [] ARE MILLIMETERS

TOLERANCES:
 FRACTIONS ± 1/32 .XX± .03
 ANGLES ± 1° .XXX± .010

THIRD-ANGLE PROJECTION

NOTE: THE INFORMATION AND DESIGN IN THIS DRAWING IS THE PROPERTY OF POLYPHASER CORP. ALL RIGHTS RESERVED.

SIZE: A CAGE: 30992 PROD CAT: RFP DRAWING NUMBER: BGXZ-60NFNF-CNS REV: A

TITLE: 1.75-400MHZ +/-60V

SHEET 1 of 1 SCALE 2:3

THESE COMMODITIES, TECHNOLOGY OR SOFTWARE WERE EXPORTED FROM THE UNITED STATES IN ACCORDANCE WITH THE EXPORT ADMINISTRATION REGULATIONS, DIVISION CONTRARY TO U.S. LAW PROHIBITED.