

Type N F/M Coaxial RF Surge Protector, 40MHz - 400MHz, DC Pass, 100W, IP67, 2.5mJ, 20kA, Hybrid, Bracket Down, Hole Mount



## BGXZ-60NFNM-ALT

### Features

- Surge current of 20kA
- Max Power 100W(RMS)
- Frequency range from 40 to 400 MHz
- N Female to N Male connectors
- Waterproof IP67 rated
- DC Pass
- VSWR <1.2:1
- CE & RoHS compliant
- Directional

### Applications

- WiFi
- GPS
- Land mobile radio

### Description

RF surge protector (also known as lightning arrester or surge arrester) BGXZ-60NFNM-ALT from PolyPhaser, utilizes a patented hybrid protection technology integrating a silicon avalanche suppression diode (SASD), a Metal Oxide Varistor (MOV) and a gas tube (GT or GDT). This RF surge protector component is manufactured in a coaxial in-line design with wide operating frequency range. All PolyPhaser RF surge protector products are available in stock with same day shipping.

### Electrical Specifications

Surge Protector Type  
DC Handling

Hybrid  
DC Pass

Description	Minimum	Typical	Maximum	Units
Frequency Range	40		400	MHz
Impedance		50		Ohms
VSWR			1.1:1	
Insertion Loss			0.25	dB
Resistance (DC)			150	mOhms
Input Power, CW			100	Watts
Surge Current IEC 61000-4-5 8/20µs waveform			20	kA
Turn On Voltage		60	65	Volts
Throughput Energy for 3kA, 8/20µs waveform			2.5	mJ

Click the following link (or enter part number in "SEARCH" on website) to obtain additional part information including price, inventory and certifications:  
[Type N F/M Coaxial RF Surge Protector, 40MHz - 400MHz, DC Pass, 100W, IP67, 2.5mJ, 20kA, Hybrid, Bracket Down, Hole Mount BGXZ-60NFNM-ALT](#)

Type N F/M Coaxial RF Surge Protector, 40MHz - 400MHz, DC Pass, 100W, IP67, 2.5mJ, 20kA, Hybrid, Bracket Down, Hole Mount



## BGXZ-60NFNM-ALT

### Mechanical Specifications

Weight	0.8 lbs [362.87 g]
<b>Configuration</b>	
Input Connector	N Female
Output Connector	N Male

### Environmental Specifications

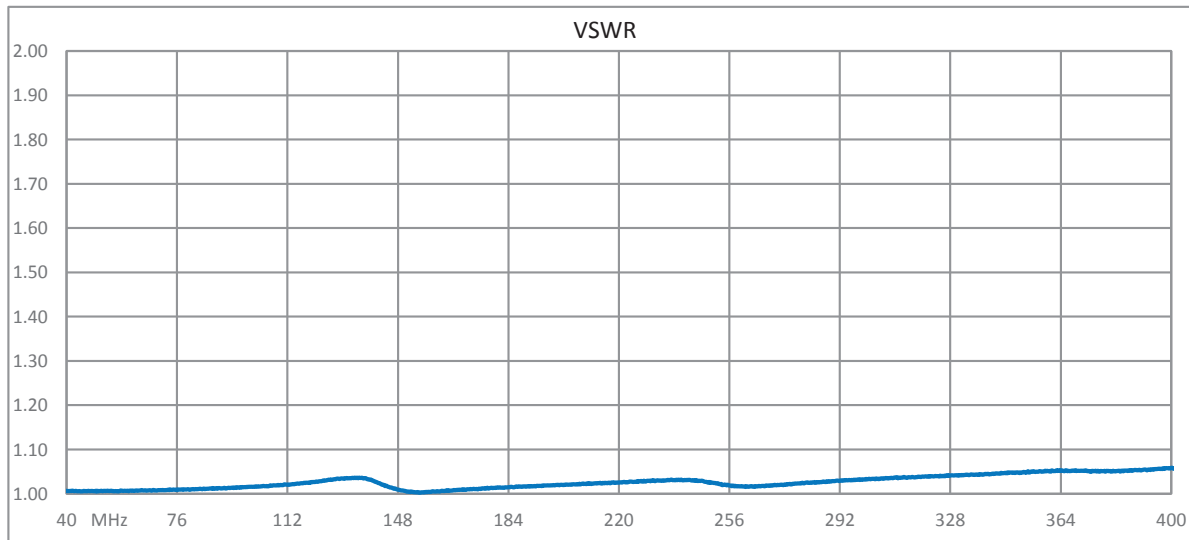
<b>Temperature</b>	
Operating Range	-50 to 85 deg C
Ingress Protection (IP) Rating	IP67
Humidity	95%

### Compliance Certifications (see [product page](#) for current document)

### Plotted and Other Data

Notes:

### Typical Performance Data



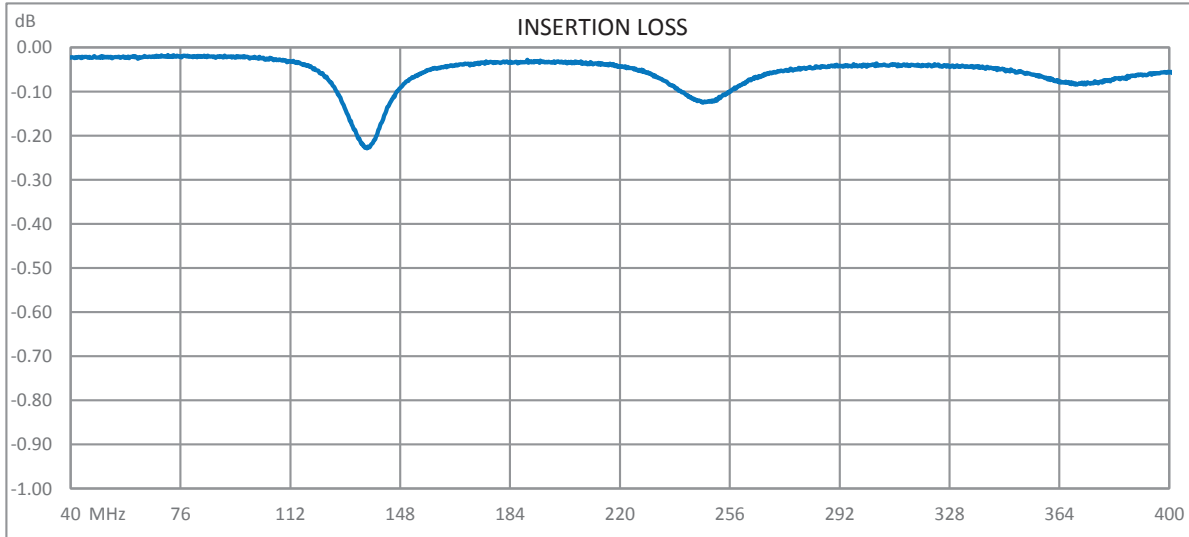
Click the following link (or enter part number in "SEARCH" on website) to obtain additional part information including price, inventory and certifications:  
[Type N F/M Coaxial RF Surge Protector, 40MHz - 400MHz, DC Pass, 100W, IP67, 2.5mJ, 20kA, Hybrid, Bracket Down, Hole Mount BGXZ-60NFNM-ALT](#)



Type N F/M Coaxial RF Surge Protector, 40MHz - 400MHz, DC Pass, 100W, IP67, 2.5mJ, 20kA, Hybrid, Bracket Down, Hole Mount



## BGXZ-60NFNM-ALT



PolyPhaser protects and increases the reliability of global RF communications networks, including transportation, telecommunications, defense, security and industrial applications, with superior RF surge protection technologies including DC Block, DC Pass and Ultra Low PIM. Backed by responsive service and expert technical support PolyPhaser continually expands its product offering and services to serve engineers' urgent needs for RF components in mission critical communication networks.

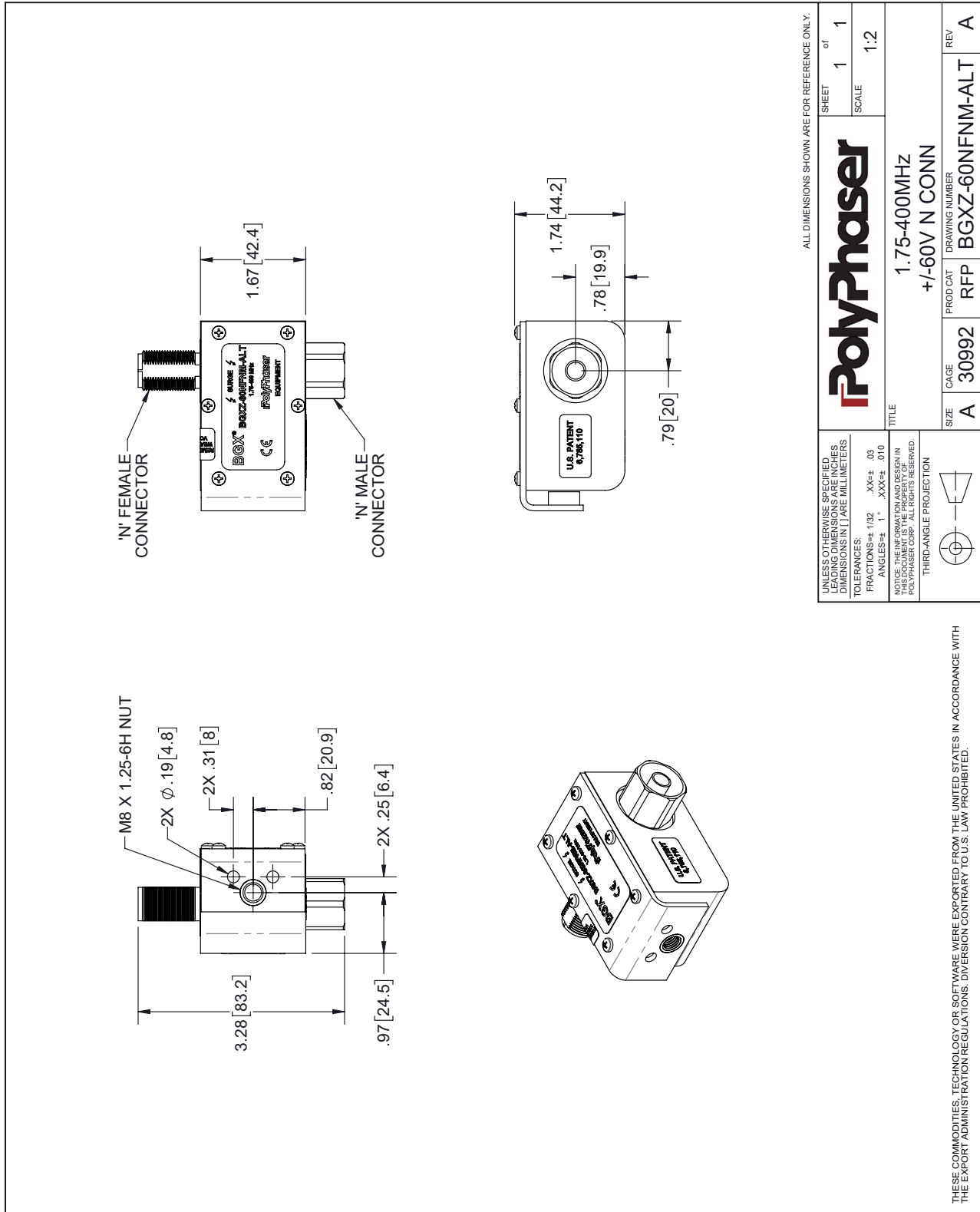
Click the following link (or enter part number in "SEARCH" on website) to obtain additional part information including price, inventory and certifications: [Type N F/M Coaxial RF Surge Protector, 40MHz - 400MHz, DC Pass, 100W, IP67, 2.5mJ, 20kA, Hybrid, Bracket Down, Hole Mount BGXZ-60NFNM-ALT](#)

URL: <https://www.polyphaser.com/type-n-surge-protector-400mhz-hybrid-bgxz-60nfm-alt>

The information contained in this document is accurate to the best of our knowledge and representative of the part described herein. It may be necessary to make modifications to the part and/or the documentation of the part, in order to implement improvements. PolyPhaser reserves the right to make such changes as required. Unless otherwise stated, all specifications are nominal. PolyPhaser does not make any representation or warranty regarding the suitability of the part described herein for any particular purpose, and PolyPhaser does not assume any liability arising out of the use of any part or documentation.

Type N F/M Coaxial RF Surge Protector, 40MHz - 400MHz, DC Pass, 100W, IP67, 2.5mJ, 20kA, Hybrid, Bracket Down, Hole Mount

**BGXZ-60NFNM-ALT CAD Drawing**



ALL DIMENSIONS SHOWN ARE FOR REFERENCE ONLY.

UNLESS OTHERWISE SPECIFIED LEADING DIMENSIONS ARE INCHES DIMENSIONS IN [ ] ARE MILLIMETERS	SHEET	1	of	1
	TOLERANCES:	SCALE		
FRACTIONS=1/32 .XX±.03				
ANGLES=± 1° .XXX±.010				
THIRD-ANGLE PROJECTION	TITLE			
	1.75-400MHZ +/-60V N CONN			
	SIZE	CAGE	PROD CAT	DRAWING NUMBER
	A	30992	RFP	BGXZ-60NFNM-ALT
				REV
				A

THESE COMMODITIES, TECHNOLOGY OR SOFTWARE WERE EXPORTED FROM THE UNITED STATES IN ACCORDANCE WITH THE EXPORT ADMINISTRATION REGULATIONS. DIVERSION CONTRARY TO U.S. LAW PROHIBITED.