

TNC M/F Bulkhead Coaxial RF Surge Protector, 700MHz - 2.5GHz, DC Block, 500W, IP67, .5uJ, 18kA, Filter



DSXL-T-MA

Features

- Surge current of 18kA
- Max Power 500W
- Frequency range from 700 MHz to 2.5 GHz
- Waterproof IP67 rated
- TNC Male to TNC Female connectors
- DC Block
- VSWR <1.25:1
- Low insertion loss
- CE & RoHS compliant
- Directional

Applications

- Cellular communication systems
- Public safety systems
- Emergency response systems
- Industrial

Description

RF surge protector (also known as lightning arrester or surge arrester) DSXL-T-MA from PolyPhaser, utilizing a patented spiral inductor design enables an almost instantaneous response to a lightning surge to protect critical hardware while maintaining the RF performance. This RF surge protector component is manufactured in a coaxial in-line design with wide operating frequency range. All PolyPhaser RF surge protector products are available in stock with same day shipping.

Electrical Specifications

Description	Surge Protector Type DC Handling		Surge Filter DC Block		Units
	Minimum	Typical	Maximum		
Frequency Range	0.7		2.5		GHz
Impedance		50			Ohms
VSWR		1.1:1	1.25:1		
Insertion Loss			0.1		dB
Input Power, CW			500		Watts
Surge Current IEC 61000-4-5 8/20µs waveform			18		kA
Throughput Energy for 3kA, 8/20µs waveform			500		nJ

Mechanical Specifications

Width/Diameter 1.11 in [28.19 mm]

Click the following link (or enter part number in "SEARCH" on website) to obtain additional part information including price, inventory and certifications: [TNC M/F Bulkhead Coaxial RF Surge Protector, 700MHz - 2.5GHz, DC Block, 500W, IP67, .5uJ, 18kA, Filter DSXL-T-MA](#)

TNC M/F Bulkhead Coaxial RF Surge Protector, 700MHz - 2.5GHz, DC Block, 500W, IP67, .5uJ, 18kA, Filter



DSXL-T-MA

Height 2.79 in [70.87 mm]

Configuration

Input Connector TNC Male
Output Connector TNC Female

Environmental Specifications

Temperature

Operating Range -40 to 85 deg C
Storage Range -40 to +85 deg C

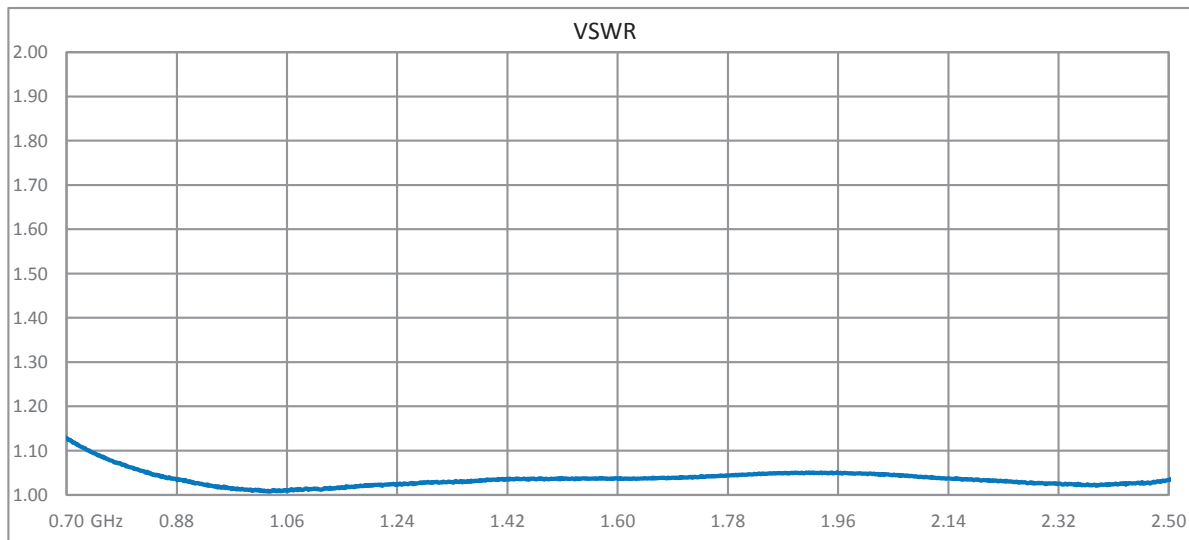
Ingress Protection (IP) Rating IP67
Vibration 1G at 5Hz to 100Hz

Compliance Certifications (see [product page](#) for current document)

Plotted and Other Data

Notes:

Typical Performance Data



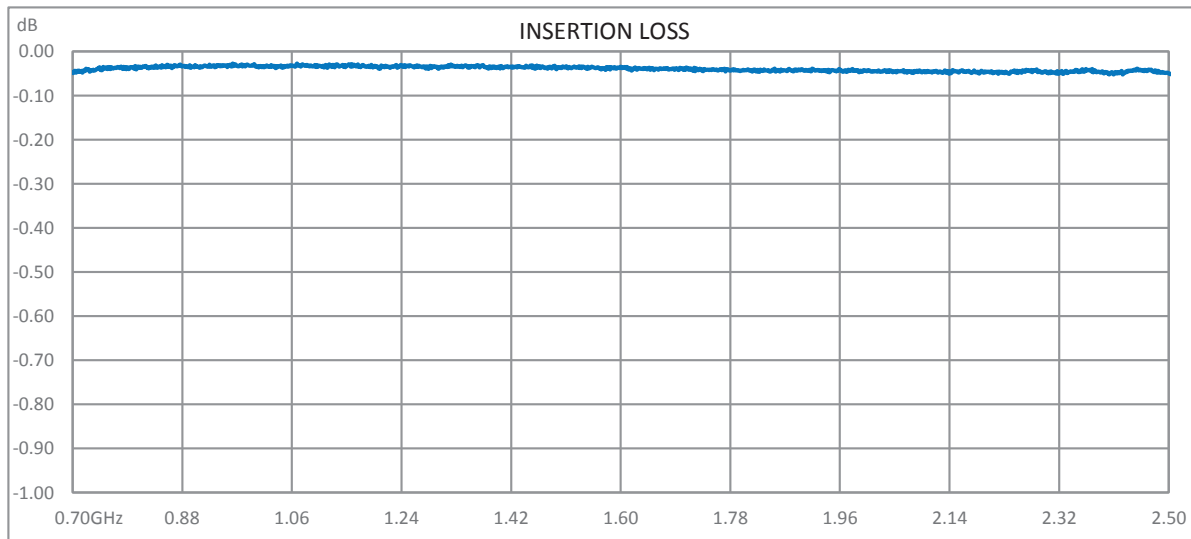
Click the following link (or enter part number in "SEARCH" on website) to obtain additional part information including price, inventory and certifications:
[TNC M/F Bulkhead Coaxial RF Surge Protector, 700MHz - 2.5GHz, DC Block, 500W, IP67, .5uJ, 18kA, Filter DSXL-T-MA](#)



TNC M/F Bulkhead Coaxial RF Surge Protector, 700MHz - 2.5GHz, DC Block, 500W, IP67, .5uJ, 18kA, Filter



DSXL-T-MA



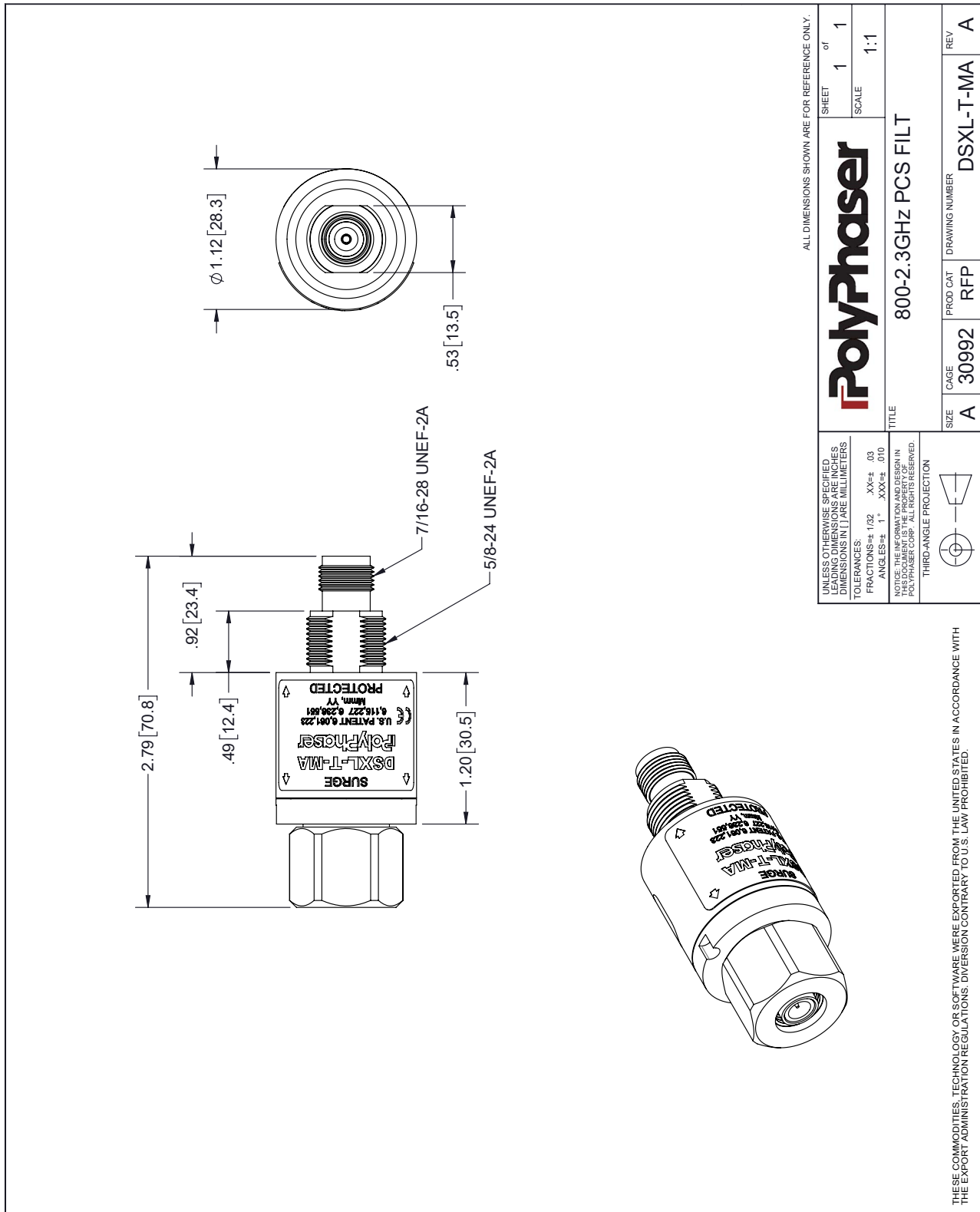
PolyPhaser protects and increases the reliability of global RF communications networks, including transportation, telecommunications, defense, security and industrial applications, with superior RF surge protection technologies including DC Block, DC Pass and Ultra Low PIM. Backed by responsive service and expert technical support PolyPhaser continually expands its product offering and services to serve engineers' urgent needs for RF components in mission critical communication networks.

Click the following link (or enter part number in "SEARCH" on website) to obtain additional part information including price, inventory and certifications: [TNC M/F Bulkhead Coaxial RF Surge Protector, 700MHz - 2.5GHz, DC Block, 500W, IP67, .5uJ, 18kA, Filter DSXL-T-MA](https://www.polyphaser.com/tnc-surge-protector-2.5ghz-filter-dsxl-t-ma)

URL: <https://www.polyphaser.com/tnc-surge-protector-2.5ghz-filter-dsxl-t-ma>

The information contained in this document is accurate to the best of our knowledge and representative of the part described herein. It may be necessary to make modifications to the part and/or the documentation of the part, in order to implement improvements. PolyPhaser reserves the right to make such changes as required. Unless otherwise stated, all specifications are nominal. PolyPhaser does not make any representation or warranty regarding the suitability of the part described herein for any particular purpose, and PolyPhaser does not assume any liability arising out of the use of any part or documentation.

DSXL-T-MA CAD Drawing



ALL DIMENSIONS SHOWN ARE FOR REFERENCE ONLY.

UNLESS OTHERWISE SPECIFIED LEADING DIMENSIONS ARE IN INCHES DIMENSIONS IN [] ARE MILLIMETERS TOLERANCES: FRACTIONS: ± 1/32 .XX± .03 ANGLES: 1° .XXX± .010 THIRD-ANGLE PROJECTION	PolyPhaser 800-2.3GHz PCS FILT	SHEET	1	of	1
		SCALE	1:1		
TITLE 800-2.3GHz PCS FILT		SIZE	A	CAGE	30992
THESE COMMODITIES, TECHNOLOGY OR SOFTWARE WERE EXPORTED FROM THE UNITED STATES IN ACCORDANCE WITH THE EXPORT ADMINISTRATION REGULATIONS. DIVERSION CONTRARY TO U.S. LAW PROHIBITED.		PROD CAT	RFP	DRAWING NUMBER	DSXL-T-MA
		REV	A		