

Type N F/F Bulkhead Coaxial RF Surge Protector, 1.5MHz - 700MHz,
DC Block, 3kW, 20uJ, 50kA, Blocking Cap, Hole Mount



IS-B50HN-C0

Features

- Surge current of 50kA
- Max Power 3kW
- Frequency range from 1.5 MHz to 700 MHz
- N Female to N Female connectors
- VSWR <1.1:1
- Multi-strike capability
- CE & RoHS compliant

Applications

- HF, UHF and VHF radios
- Ham radios
- Remote industrial monitoring

Description

RF surge protector (also known as lightning arrester or surge arrester) IS-B50HN-C0 from PolyPhaser, integrating a RF blocking capacitor with a gas tube (GT or GDT). This RF surge protector component is manufactured in a coaxial in-line design with wide operating frequency range. All PolyPhaser RF surge protector products are available in stock with same day shipping.

Electrical Specifications

Surge Protector Type
DC Handling

Blocking Cap and Gas Tube
DC Block

Description	Minimum	Typical	Maximum	Units
Frequency Range	1.5		700	MHz
Impedance		50		Ohms
VSWR			1.1:1	
Insertion Loss			0.1	dB
Input Power, CW			3	kWatts
3kW @ 1.5MHz TO 50MHz				
500W @ 50MHz TO 220MHz				
250W @ 220MHz TO 700MHz				
Surge Current			50	kA
IEC 61000-4-5 8/20µs WAVEFORM				
Turn On Voltage		1,200 ±20%		Volts
Throughput Energy			20	uJ

Click the following link (or enter part number in "SEARCH" on website) to obtain additional part information including price, inventory and certifications:
[Type N F/F Bulkhead Coaxial RF Surge Protector, 1.5MHz - 700MHz, DC Block, 3kW, 20uJ, 50kA, Blocking Cap, Hole Mount IS-B50HN-C0](#)

Type N F/F Bulkhead Coaxial RF Surge Protector, 1.5MHz - 700MHz,
DC Block, 3kW, 20uJ, 50kA, Blocking Cap, Hole Mount



IS-B50HN-C0

Mechanical Specifications

Size

Length	2.72 in [69.09 mm]
Width/Diameter	1 in [25.4 mm]
Height	2.25 in [57.15 mm]

Configuration

Input Connector	N Female
Output Connector	N Female

Environmental Specifications

Temperature

Operating Range	-50 to 50 deg C
Storage Range	-55 to +85 deg C

Ingress Protection (IP) Rating	None
Humidity	90% @ 40°C
Vibration	1G @ 5Hz to 100Hz

Compliance Certifications (see [product page](#) for current document)

Plotted and Other Data

Notes:

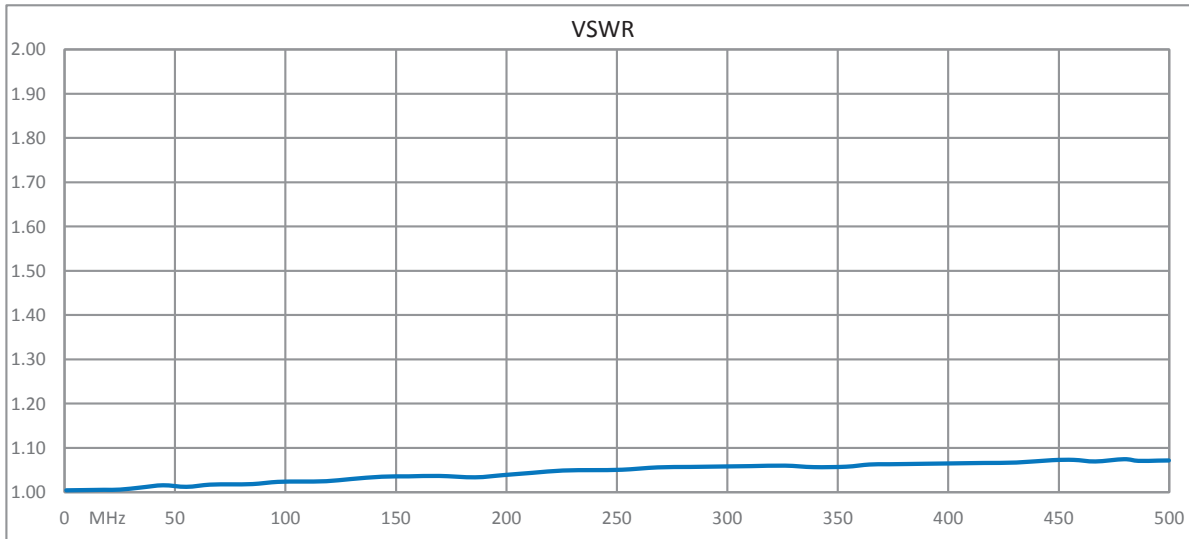
Click the following link (or enter part number in "SEARCH" on website) to obtain additional part information including price, inventory and certifications:
[Type N F/F Bulkhead Coaxial RF Surge Protector, 1.5MHz - 700MHz, DC Block, 3kW, 20uJ, 50kA, Blocking Cap, Hole Mount IS-B50HN-C0](#)

Type N F/F Bulkhead Coaxial RF Surge Protector, 1.5MHz - 700MHz,
DC Block, 3kW, 20uJ, 50kA, Blocking Cap, Hole Mount



IS-B50HN-C0

Typical Performance Data

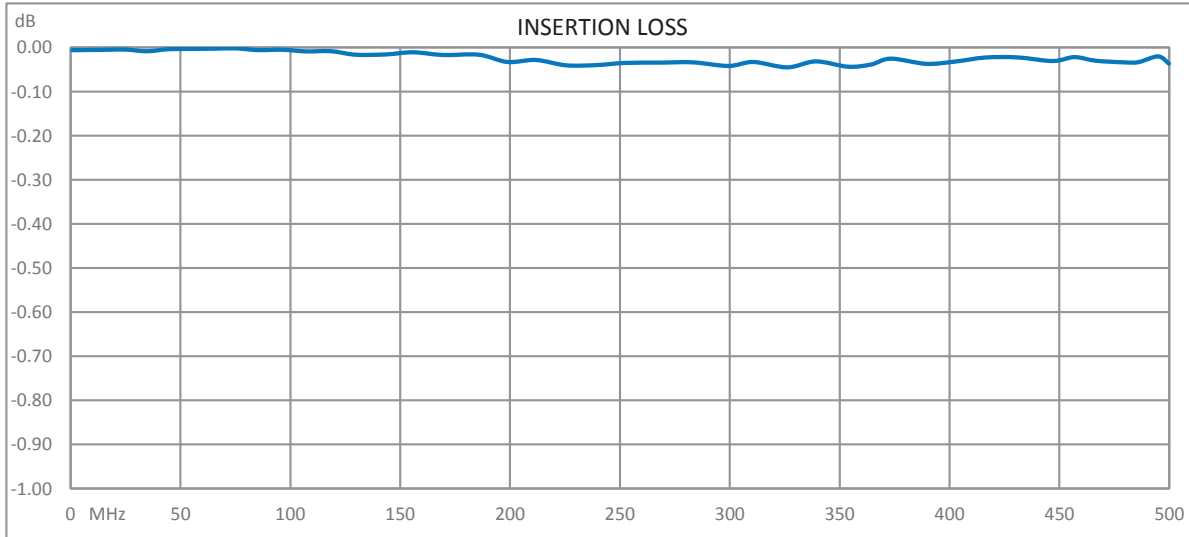


Click the following link (or enter part number in "SEARCH" on website) to obtain additional part information including price, inventory and certifications:
[Type N F/F Bulkhead Coaxial RF Surge Protector, 1.5MHz - 700MHz, DC Block, 3kW, 20uJ, 50kA, Blocking Cap, Hole Mount IS-B50HN-C0](#)

Type N F/F Bulkhead Coaxial RF Surge Protector, 1.5MHz - 700MHz,
DC Block, 3kW, 20uJ, 50kA, Blocking Cap, Hole Mount



IS-B50HN-C0



PolyPhaser protects and increases the reliability of global RF communications networks, including transportation, telecommunications, defense, security and industrial applications, with superior RF surge protection technologies including DC Block, DC Pass and Ultra Low PIM. Backed by responsive service and expert technical support PolyPhaser continually expands its product offering and services to serve engineers' urgent needs for RF components in mission critical communication networks.

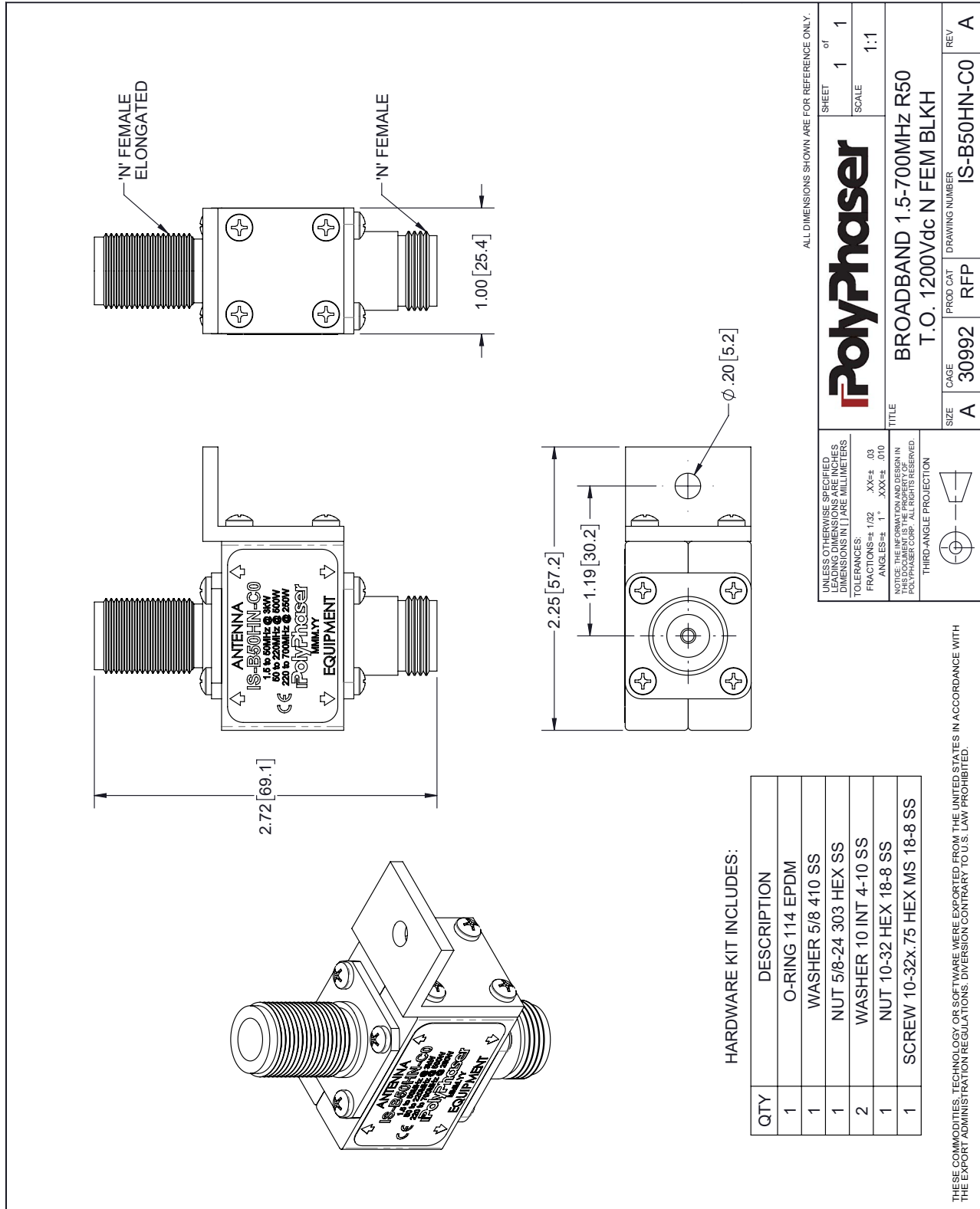
Click the following link (or enter part number in "SEARCH" on website) to obtain additional part information including price, inventory and certifications: [Type N F/F Bulkhead Coaxial RF Surge Protector, 1.5MHz - 700MHz, DC Block, 3kW, 20uJ, 50kA, Blocking Cap, Hole Mount IS-B50HN-C0](https://www.polyphaser.com/type-n-surge-protector-700mhz-blocking-cap-gas-tube-is-b50hn-c0)

URL: <https://www.polyphaser.com/type-n-surge-protector-700mhz-blocking-cap-gas-tube-is-b50hn-c0>

The information contained in this document is accurate to the best of our knowledge and representative of the part described herein. It may be necessary to make modifications to the part and/or the documentation of the part, in order to implement improvements. PolyPhaser reserves the right to make such changes as required. Unless otherwise stated, all specifications are nominal. PolyPhaser does not make any representation or warranty regarding the suitability of the part described herein for any particular purpose, and PolyPhaser does not assume any liability arising out of the use of any part or documentation.

Type N F/F Bulkhead Coaxial RF Surge Protector, 1.5MHz - 700MHz,
DC Block, 3kW, 20uJ, 50kA, Blocking Cap, Hole Mount

IS-B50HN-C0 CAD Drawing



		SHEET	1	of	1
		SCALE	1:1		
TITLE BROADBAND 1.5-700MHz R50 T.O. 1200Vdc N FEM BLKH		SIZE	A	CAGE	30992
		PROD CAT	RFP	DRAWING NUMBER	IS-B50HN-C0
		REV	A		