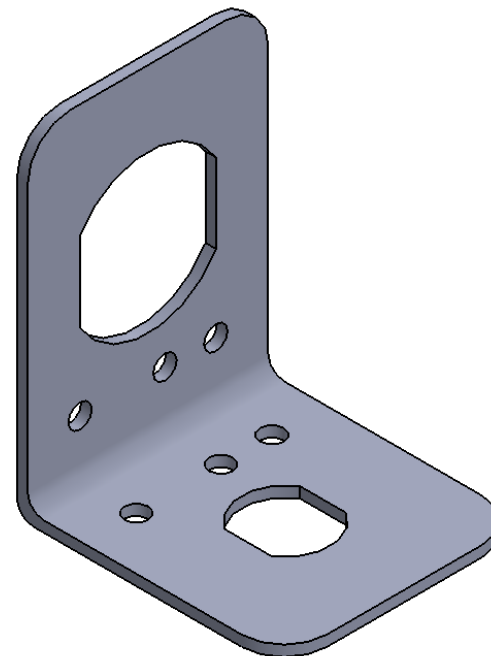
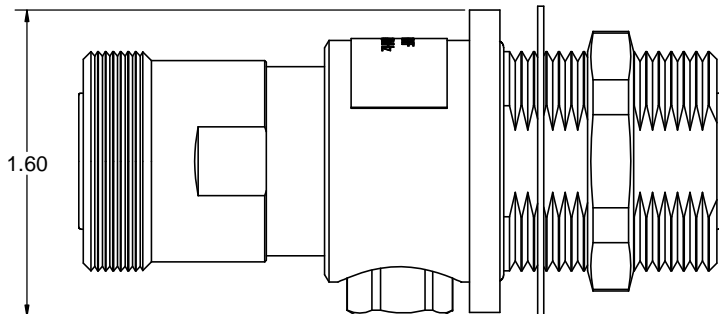
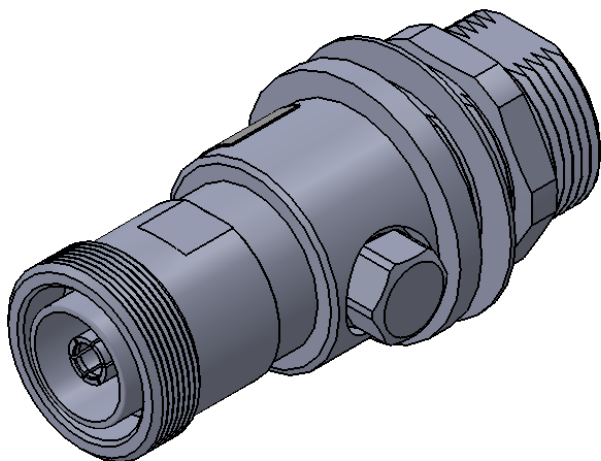


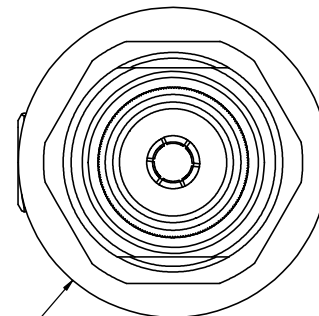
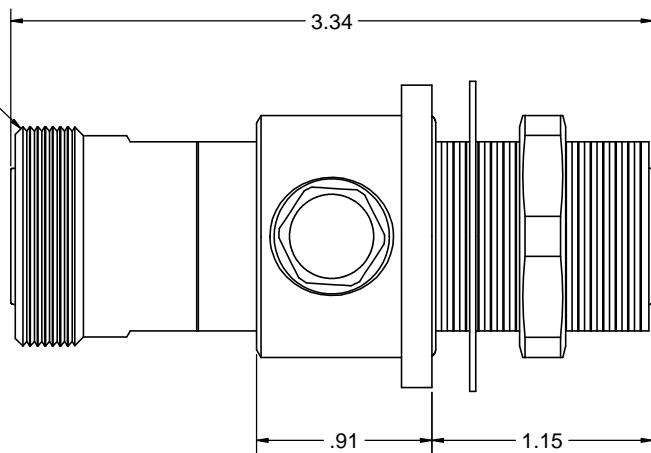
NOTICE OF PROPRIETARY RIGHTS

THIS DOCUMENT CONTAINS CONFIDENTIAL TECHNICAL DATA, INCLUDING TRADE SECRETS, PROPRIETARY TO TIMES MICROWAVE SYSTEMS. DISCLOSURE OF THIS DATA IS EXPRESSLY CONDITIONED UPON YOUR ASSENT THAT ITS USE IS LIMITED TO USE WITHIN YOUR COMPANY ONLY. ANY OTHER USE IS STRICTLY PROHIBITED WITHOUT THE PRIOR WRITTEN CONSENT OF TIMES MICROWAVE SYSTEMS.

REV.	REVISION DESCRIPTION	DFTM	DATE	APPD	DATE
A	RELEASED FOR PRODUCTION	M.E.	03/24/14	M.E.	03/24/14



2 X M29 X 1.5



NOTES:

1. ELECTRICAL PERFORMANCE

IMPEDANCE: 50 OHMS
 OPERATING FREQUENCY: DC-2500 MHz
 VSWR/RETURN LOSS: < 1.08:1 / < -28 dB (DC-1000 MHz)
 < 1.1:1 / < -24 dB (1000-2500 MHz)
 INSERTION LOSS: < 0.1 dB (DC-1000 MHz)
 < 0.2 dB (1000-2500 MHz)
 AVERAGE POWER: 550 W
 MAX SURGE CURRENT: 20 kA MULTIPLE (8/20 us WAVE-FORM)
 IMPULSE SPARKOVER: 800 V (1 kV/us)
 TURN ON: 350 Vdc
 PROTECTION CIRCUIT: DC PASS, BIDIRECTIONAL

2. ENVIRONMENTAL CHARACTERISTICS

STORAGE/OPERATING TEMPERATURE: -40C TO +85C
 WEATHERIZATION: IP67
 VIBRATION: MIL-STD 202, METHOD 204, CONDITION B
 RoHS COMPLIANT

3. MATERIAL AND FINISH

INNER CONNECTOR FEMALE: PHOSPHOR BRONZE, SILVER PLATE
 BODY: BRASS, WHITE BRONZE PLATE
 INSULATOR: TPX
 COUPLING NUT: BRASS, WHITE BRONZE PLATE
 O-RING: SILICONE RUBBER

MATERIAL:

USED ON ASSY.

DRAFTSMAN	M. ELLIS	03/24/14
CHECKER	M. ELLIS	03/24/14
APPROVED	M. ELLIS	03/24/14

UNLESS OTHERWISE SPECIFIED
 ALL DIMENSIONS ARE IN INCHES
 MACHINED SURFACES FINISH .32 RMS MAX.
 REMOVE ALL BURRS .005 MAX. BREAK
 MACHINE CORNERS .005 MAX. FILLET R.
 TOLERANCES ON DECIMALS
 .XX ± .01 .XXX ± .005
 ANGLES ± 1° FRACTIONS ± 1/32

TIMES MICROWAVE SYSTEMS

TITLE: SURGE PROTECTOR
 DIN FEMALE TO DIN FEMALE
 DC-2500 MHz

DWG. NO.	LP-GTR-DFF-35	REV.	A
SCALE	2:1	SHEET	1 OF 1

DO NOT SCALE DRAWING

DWG. SIZE: C
 CODE IDENT: 68999