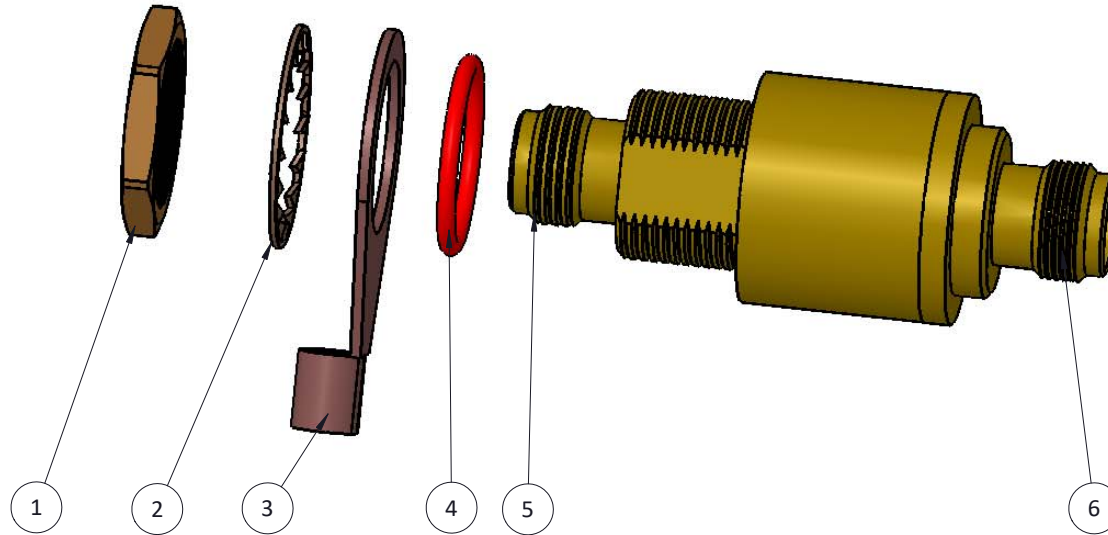


VER	Description	ECN	Name	Date
A	Initial Released	N/A	Monica.W	2018.05.31



Reference standard IEC60169-17;

I \ Electrical Performance

Impedance(Ω): 50
 Frequency Range: DC-6GHz
 VSWR: ≤1.35
 Insert Loss: (dB) ≤0.6
 Turn on: 180V DC
 Impulse sparkover 700V (1Kv/us)
 Average power 150W
 Max surge current 10kA multiple (wave form 8/20us)

II \ Mechanical Performance

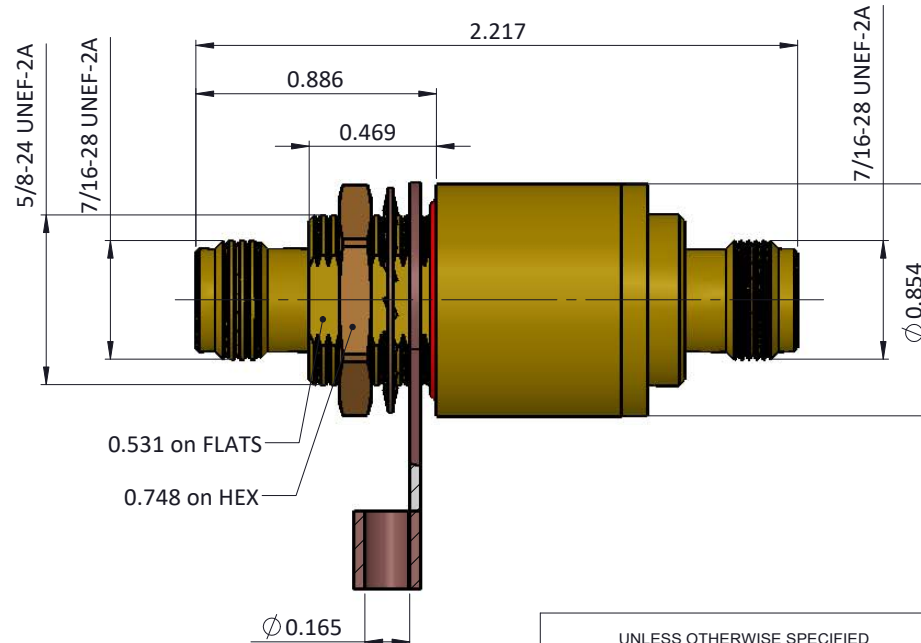
Mating cycle 500
 Nut torque 5N.m
 Retention >0.56N

III \ Material and plating:

Inner conductor	Spring copper	Ag5um
Outer conductor	Brass	Copper-tin-zinc 2um
Nut	Brass	Copper-tin-zinc 2um
Insulator	PTFE	
O-ring	Silicone rubber	

IV \ Environment

Temperature Range -40℃~+85℃
 Weather standard IEC 60068 40/085/21
 Thermal shock IEC 60068-2-14-Na
 Vibration IEC 60068-2-6-Fc
 Shock IEC60068-2-27
 Waterproof standard IP67
 ROHS compliant



Item	Description
1	Nut
2	Washer
3	Lug
4	O ring
5	TNC Jack
6	TNC Jack

UNLESS OTHERWISE SPECIFIED		DFTM	TIMES MICROWAVE SYSTEMS An Amphenol Company									
ALL DIMENSIONS ARE IN inch MACHINED SURFACES FINISH 1.6 RMS MAX. REMOVE ALL BURRS 0.15X45° MAX. BREAK MACHINE CORNERS 0.15X45° D MAX. FILLET R. TOLERANCES ON DECIMALS .XXX ±0.003 ANGLES ±2° FRACTIONS ±N/A		Monica.W	Lightning Protector TF BH-TF									
		DATE			2018.05.31							
		CHKD			Patrick. M							
		DATE			2018.05.31							
		APPD	Joslen.W									
Scale:	2:1	Size:	A3	CODE IDENT	68999	DATE	2018.05.31	SHT	1/1	LP-GTV-TFF	REV	A