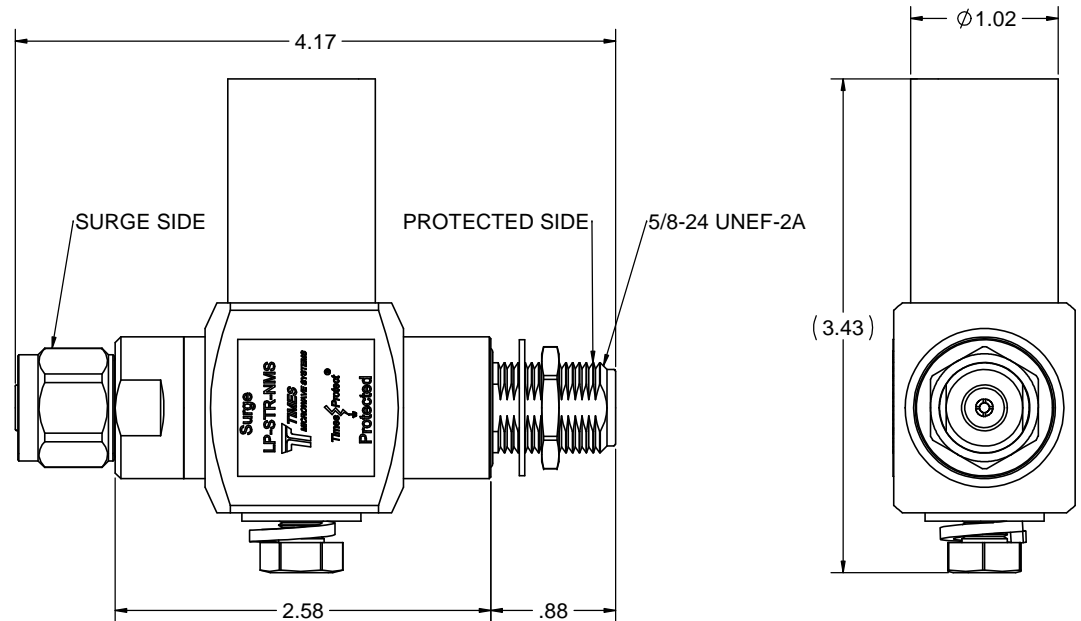
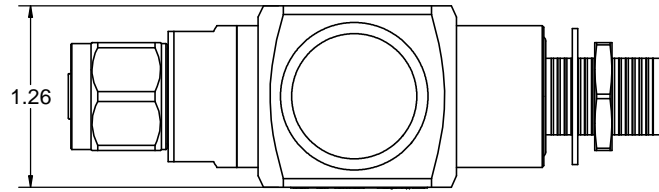
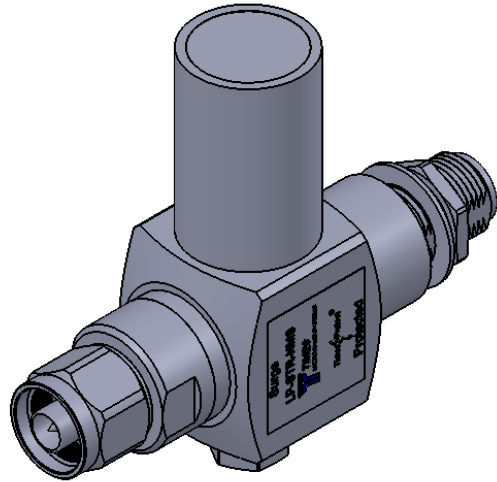


NOTICE OF PROPRIETARY RIGHTS

THIS DOCUMENT CONTAINS CONFIDENTIAL TECHNICAL DATA, INCLUDING TRADE SECRETS, PROPRIETARY TO TIMES MICROWAVE SYSTEMS. DISCLOSURE OF THIS DATA IS EXPRESSLY CONDITIONED UPON YOUR ASSENT THAT ITS USE IS LIMITED TO USE WITHIN YOUR COMPANY ONLY. ANY OTHER USE IS STRICTLY PROHIBITED WITHOUT THE PRIOR WRITTEN CONSENT OF TIMES MICROWAVE SYSTEMS.

REV.	REVISION DESCRIPTION	DFTM	DATE	APPD	DATE
A	RELEASED FOR PRODUCTION	M.E.	03/24/14	M.E.	03/24/14



NOTES:

1. ELECTRICAL PERFORMANCE

IMPEDANCE: 50 OHMS
 OPERATING FREQUENCY: 800-2500 MHz
 VSWR/RETURN LOSS: < 1.13:1 / < -24 dB (800-840 MHz)
 < 1.1:1 / < -26 dB (840-2500 MHz)
 INSERTION LOSS: < 0.1 dB
 AVERAGE POWER: 500 W
 PIM: < -160 dBc
 MAX SURGE CURRENT: 50 kA (8/20 us WAVE-FORM)
 RESIDUAL PULSE VOLTAGE: < 100 V (50kA 8/20 us WAVE-FORM)
 RESIDUAL PULSE VOLTAGE: < 1 V (4kV/2kA 1.2X50/8X20us WAVE-FORM)
 ENERGY THROUGHPUT RATING: < 1 nJ
 PROTECTION CIRCUIT: DC BLOCKED

2. ENVIRONMENTAL CHARACTERISTICS

STORAGE/OPERATING TEMPERATURE: -40C TO +85C
 WEATHERIZATION: IP67
 VIBRATION: MIL-STD 202, METHOD 204, CONDITION B
 WEIGHT: 1.17 lb / 0.53 kg
 RoHS COMPLIANT

3. MATERIAL AND FINISH

INNER CONNECTOR MALE: BRASS, SILVER PLATE
 INNER CONNECTOR FEMALE: PHOSPHOR BRONZE, SILVER PLATE
 BODY: BRASS, WHITE BRONZE PLATE
 COUPLING NUT: BRASS, WHITE BRONZE PLATE
 INSULATOR: PTFE
 O-RING: SILICONE RUBBER

MATERIAL:	
	USED ON ASSY.

DRAFTSMAN	M. ELLIS	03/24/14	TIMES MICROWAVE SYSTEMS
CHECKER	M. ELLIS	03/24/14	
APPROVED	M. ELLIS	03/24/14	
UNLESS OTHERWISE SPECIFIED			TITLE: SURGE PROTECTOR N MALE TO N FEMALE 800-2500 MHz
ALL DIMENSIONS ARE IN INCHES MACHINED SURFACES FINISH 32 RMS MAX. REMOVE ALL BURRS .005 MAX. BREAK MACHINE CORNERS .005 MAX. FILLET R. TOLERANCES ON DECIMALS			
.XX ± .01	.XXX ± .005		DWG. SIZE:
ANGLES ± 1°	FRACTIONS ± 1/32		DRWG. NO. LP-STR-NMS
			REV. A
			CODE IDENT. 68999
			SCALE: 1.5:1
			SHEET 1 OF 1