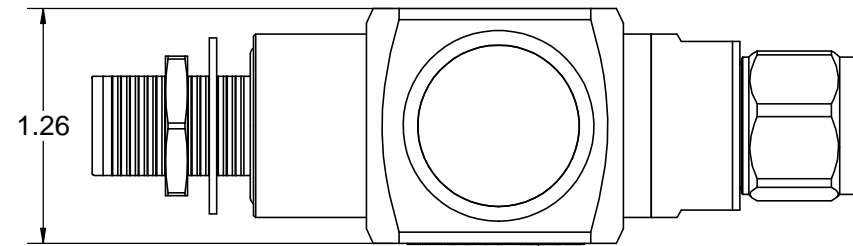
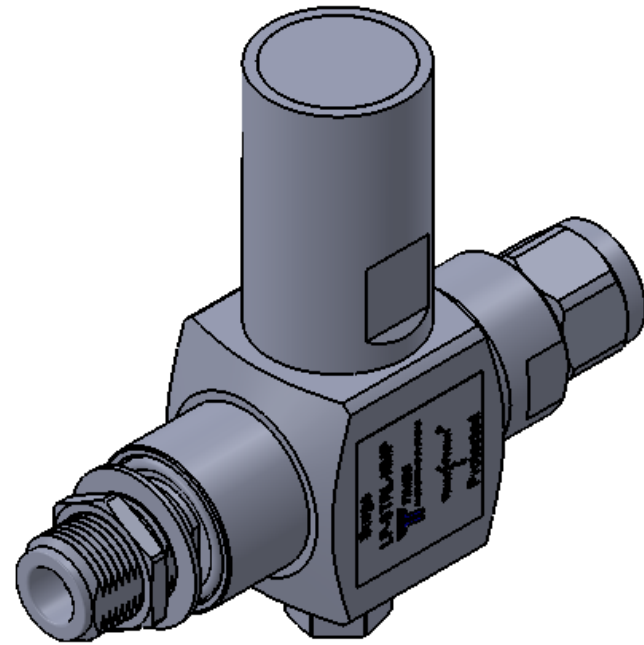


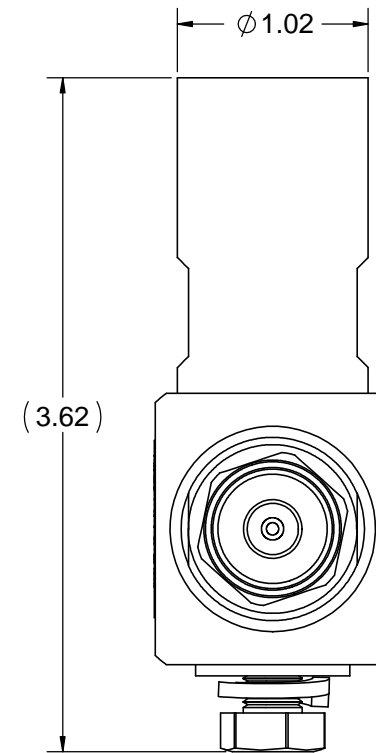
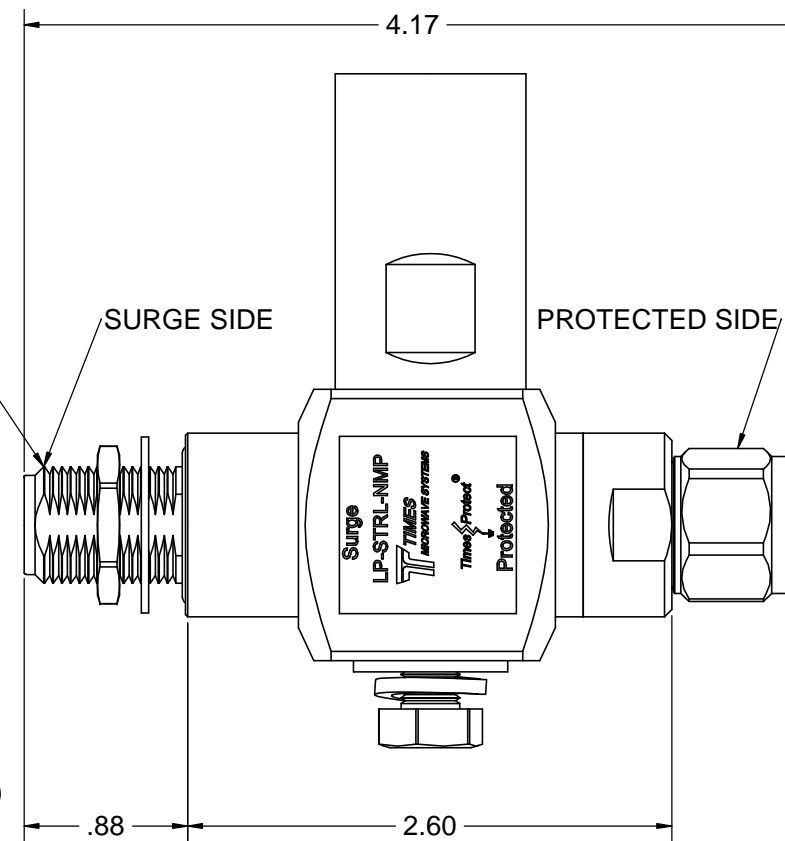
NOTICE OF PROPRIETARY RIGHTS

THIS DOCUMENT CONTAINS CONFIDENTIAL TECHNICAL DATA, INCLUDING TRADE SECRETS, PROPRIETARY TO TIMES MICROWAVE SYSTEMS. DISCLOSURE OF THIS DATA IS EXPRESSLY CONDITIONED UPON YOUR ASSENT THAT ITS USE IS LIMITED TO USE WITHIN YOUR COMPANY ONLY. ANY OTHER USE IS STRICTLY PROHIBITED WITHOUT THE PRIOR WRITTEN CONSENT OF TIMES MICROWAVE SYSTEMS.

REV.	REVISION DESCRIPTION	DFTM	DATE	APPD	DATE
A	RELEASED FOR PRODUCTION	M.E.	03/24/14	M.E.	03/24/14



5/8-24 UNEF-2A



NOTES:

1. ELECTRICAL PERFORMANCE

- IMPEDANCE: 50 OHMS
- OPERATING FREQUENCY: 680-2200 MHz
- VSWR/RETURN LOSS: < 1.13:1 / < -24 dB (680-700 MHz)
- < 1.1:1 / < -26 dB (700-2200 MHz)
- INSERTION LOSS: < 0.1 dB
- AVERAGE POWER: 500 W
- PIM: < -160 dBc
- MAX SURGE CURRENT: 50 kA (8/20 us WAVE-FORM)
- RESIDUAL PULSE VOLTAGE: < 100 V (50kA 8/20 us WAVE-FORM)
- RESIDUAL PULSE VOLTAGE: < 1 V (4kV/2kA 1.2X50/8X20 us WAVE-FORM)
- ENERGY THROUGHPUT RATING: < 1 nJ (4kV/2kA 1.2X50/8X20 us WAVE-FORM)
- PROTECTION CIRCUIT: DC BLOCKED

2. ENVIRONMENTAL CHARACTERISTICS

- STORAGE/OPERATING TEMPERATURE: -40C TO +85C
- WEATHERIZATION: IP67
- VIBRATION: MIL-STD 202, METHOD 204, CONDITION B
- WEIGHT: 1.17 lb / 0.53 kg
- RoHS COMPLIANT

3. MATERIAL AND FINISH

- INNER CONNECTOR MALE: BRASS, SILVER PLATE
- INNER CONNECTOR FEMALE: PHOSPHOR BRONZE, SILVER PLATE
- BODY: BRASS, WHITE BRONZE PLATE
- COUPLING NUT: BRASS, WHITE BRONZE PLATE
- INSULATOR: PTFE
- O-RING: SILICONE RUBBER

MATERIAL:  
USED ON ASSY.

DRAFTSMAN	M. ELLIS	03/24/14
CHECKER	M. ELLIS	03/24/14
APPROVED	M. ELLIS	03/24/14

UNLESS OTHERWISE SPECIFIED  
ALL DIMENSIONS ARE IN INCHES  
MACHINED SURFACES FINISH 32 RMS MAX.  
REMOVE ALL BURRS .005 MAX. BREAK  
MACHINE CORNERS .005 MAX. FILLET R.  
TOLERANCES ON DECIMALS  
.XX ± .01 .XXX ± .005  
ANGLES ± 1' FRACTIONS ± 1/32

TIMES MICROWAVE SYSTEMS

TITLE: SURGE PROTECTOR  
N FEMALE TO N MALE  
680-2200 MHz

DWG. NO. LP-STRL-NMP  
REV. A  
CODE IDENT. 68999  
SCALE: 1.5:1  
SHEET 1 OF 1

DO NOT SCALE DRAWING