

ALL DESIGN, OPERATIVE AND PROCESS DATA PERTAINING TO THE ARTICLE SHOWN ON THIS SHEET IS THE PROPERTY OF POLYPHASER CORPORATION. THE INFORMATION IS NOT TO BE COPIED, REPRODUCED, REVEALED TO OR APPROPRIATED BY OTHERS WITHOUT THE EXPRESS WRITTEN CONSENT OF POLYPHASER CORPORATION.

These commodities or technology are exported from the U.S. in accordance with the Export Administration Regulations. Diversion contrary to U.S. law prohibited.

REVISIONS				
REV LTR	DATE	ENG	MKTG	Q.A.
A	07/11/02 _{IB}	LC	PH	RM
B	08/16/02 _{IB}	RB	PH	LJ
C	12/03/02 _{IB}	RB	SD	LJ
D	07/28/05 _{SH}	LC	SD	LJ
E	03/15/07 _{CM}	AD	-	-

PARAMETER	REQUIREMENT
IMPEDANCE	75 Ohms
RF POWER CAPABILITY	50 Watts
TELEMETRY FREQUENCY BAND	10 kHz TO 150 kHz 10 MHz TO 100 MHz
Rx/Tx FREQUENCY BAND	300 MHz TO 2500 MHz
TELEMETRY INSERTION LOSS	2.0 dB MAX.
Rx/Tx INSERTION LOSS 300 TO 2500MHz	1.0 dB MAX.
TELEMETRY I/O RETURN LOSS	10 dB MIN.
Rx/Tx I/O RETURN LOSS	15 dB MIN.
Rx/Tx GROUP DELAY VARIATION	100 ps MAX.
OPERATING VOLTAGE & CURRENT	+24 VDC @ 3 Amps
STAND OFF VOLTAGE	±33 VDC
SURGE PROTECTION	IEC 61000-4-5, 8/20 μs @ 3 kA IEC 61000-4-5, 10/350 μs @ 3 kA
PEAK LET THROUGH VOLTAGE	2 X OPERATING VOLTAGE
THROUGH-PUT ENERGY	1 mJ MAX.

OPERATING ENVIRONMENT

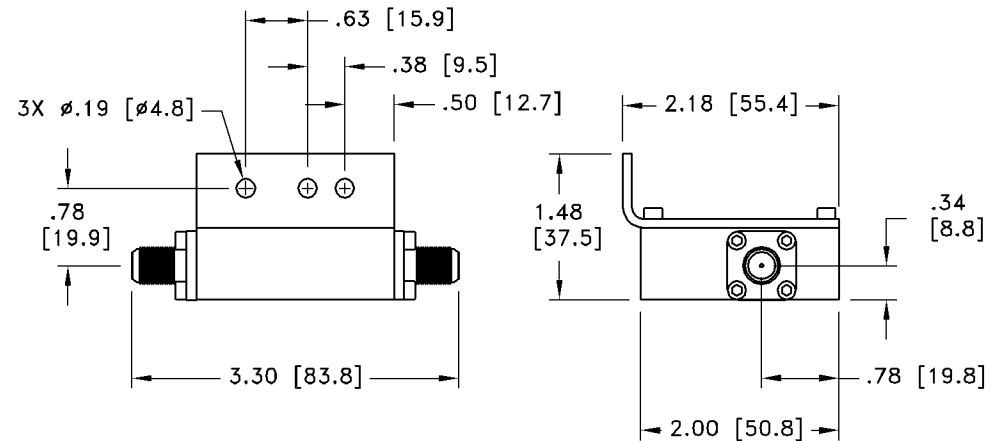
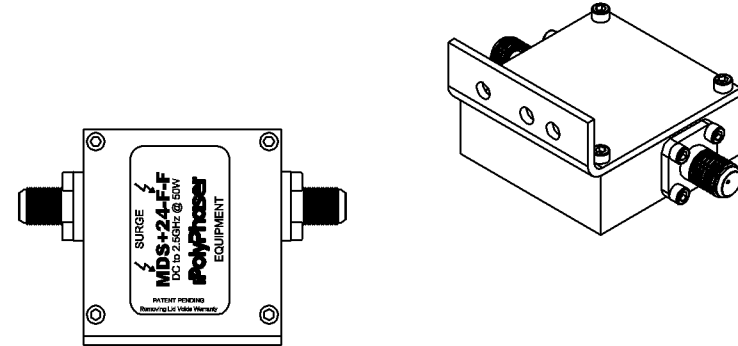
TEMPERATURE RANGE	-50 TO +85 DEG-C
RELATIVE HUMIDITY	0 TO 100% CONDENSING
ALTITUDE	15,000 FEET

STORAGE ENVIRONMENT

TEMPERATURE RANGE	-50 TO +95 DEG-C
RELATIVE HUMIDITY	0 TO 100% CONDENSING
ALTITUDE	50,000 FEET

SHOCK AND VIBRATION

OPERATING VIBRATION	ETS 300 019-2-4, CLASS 4M3
OPERATING SHOCK	ETS 300 019-2-4, CLASS 4M3
TRANSPORTATION	ETS 300 019, CLASSIFICATION 2.3



CUSTOMER APPROVAL: _____ DATE: _____

ALL DIMENSIONS SHOWN ABOVE ARE FOR REFERENCE ONLY.

DRAFTER	DATE
I. BENNETT	06/25/02
MECH ENGINEER	DATE
R. DUNNING	07/10/02
ELEC ENGINEER	DATE
L. CHANG	07/03/02
MARKETING	DATE
P. HEEREN	07/10/02
QUALITY DEPT	DATE
L. JACQUES	07/09/02

PolyPhaser

P.O. BOX 9000 MINDEN, NY 89423 TEL: 775-782-2511 FAX: 775-782-4476
DWG NO/PART NO/DESCRIPTION

MDS+24-F-F
CUSTOMER PRINT

CAGE CODE	FILE NAME	SCALE	SHEET
61114	-C1	1/2	1 OF 1