

4.3-10 F/F Bulkhead Coaxial RF Surge Protector, 698MHz - 2.7GHz, 500W, IP67, 80 V Max., 1mJ, 20kA, Filter, Low PIM -173 dBc



TSXDC-4310FF

Features

- Surge current of 20kA
- Max Power 500W
- Frequency range from 698 MHz to 2700 MHz
- Waterproof IP67 rated
- 4.3-10-type Female connectors
- DC Pass
- VSWR <1.12:1
- Low insertion loss
- CE & RoHS compliant
- Bidirectional

Applications

- Cellular communication systems
- Public safety systems
- Emergency response systems
- Industrial Communications

Description

RF surge protector (also known as lightning arrester) TSXDC-4310FF from PolyPhaser utilizing a patented spiral inductor design enables an almost instantaneous response to a lightning surge to protect critical hardware while maintaining the RF performance. This RF surge protector component is manufactured in a coaxial in-line design with wide operating frequency range. All PolyPhaser RF surge protector products are available in stock with same day shipping.

Electrical Specifications

Surge Protector Type
DC Handling

Surge Filter and Gas Tube
DC Pass

Description	Minimum	Typical	Maximum	Units
Frequency Range	0.698		2.7	GHz
Impedance		50		Ohms
VSWR			1.12:1	
Insertion Loss		0.1	0.2	dB
Passive Intermodulation		-155	-173	dBc
Operating Voltage (DC)			80	Volts
Operating Current (DC)			6	A
Resistance (DC)			20	mOhms
Input Power, CW			500	Watts
Surge Current IEC 61000-4-5 8/20μs waveform			20	kA
Throughput Energy for 2kA @ 8/20μs waveform			1	mJ

Click the following link (or enter part number in "SEARCH" on website) to obtain additional part information including price, inventory and certifications:
[4.3-10 F/F Bulkhead Coaxial RF Surge Protector, 698MHz - 2.7GHz, 500W, IP67, 80 V Max., 1mJ, 20kA, Filter, Low PIM -173 dBc TSXDC-4310FF](#)

4.3-10 F/F Bulkhead Coaxial RF Surge Protector, 698MHz - 2.7GHz,
500W, IP67, 80 V Max., 1mJ, 20kA, Filter, Low PIM -173 dBc



TSXDC-4310FF

Mechanical Specifications

Size

Length	2.9 in [73.66 mm]
Width/Diameter	1.72 in [43.69 mm]
Height	1.81 in [45.97 mm]
Weight	1 lbs [453.59 g]
Housing Material and Plating	Brass, Tri-Metal

Configuration

Input Connector	4.3-10 Female
Output Connector	4.3-10 Female

Environmental Specifications

Temperature

Operating Range	-50 to 85 deg C
Storage Range	-50 to +85 deg C

Ingress Protection (IP) Rating	IP67
Humidity	95%

Compliance Certifications (see [product page](#) for current document)

Plotted and Other Data

Notes:

Click the following link (or enter part number in "SEARCH" on website) to obtain additional part information including price, inventory and certifications:
[4.3-10 F/F Bulkhead Coaxial RF Surge Protector, 698MHz - 2.7GHz, 500W, IP67, 80 V Max., 1mJ, 20kA, Filter, Low PIM -173 dBc TSXDC-4310FF](#)

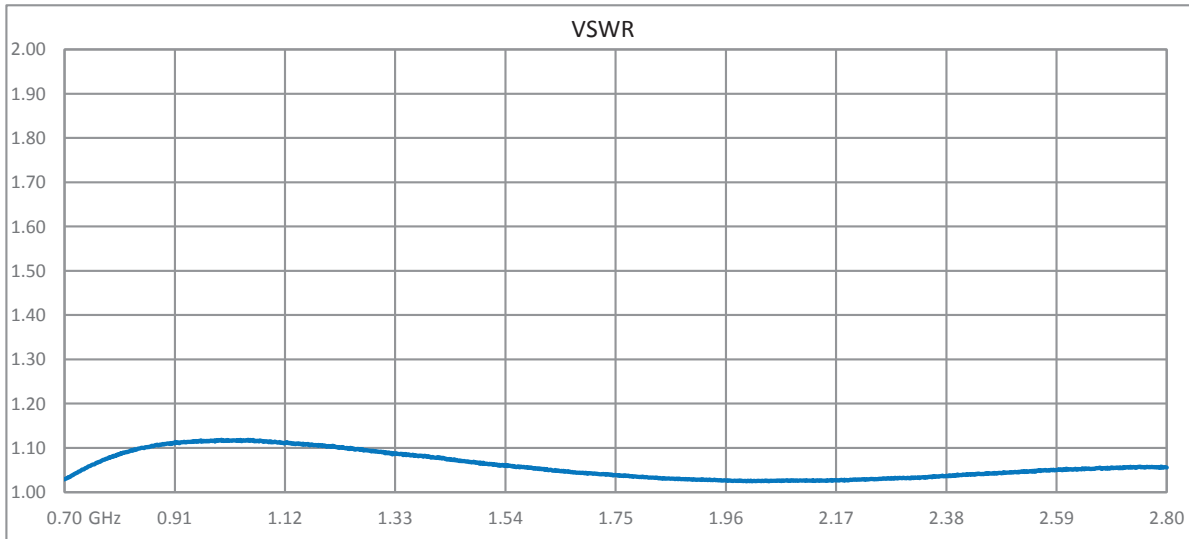


4.3-10 F/F Bulkhead Coaxial RF Surge Protector, 698MHz - 2.7GHz,
500W, IP67, 80 V Max., 1mJ, 20kA, Filter, Low PIM -173 dBc



TSXDC-4310FF

Typical Performance Data



Click the following link (or enter part number in "SEARCH" on website) to obtain additional part information including price, inventory and certifications:
[4.3-10 F/F Bulkhead Coaxial RF Surge Protector, 698MHz - 2.7GHz, 500W, IP67, 80 V Max., 1mJ, 20kA, Filter, Low PIM -173 dBc TSXDC-4310FF](#)

4.3-10 F/F Bulkhead Coaxial RF Surge Protector, 698MHz - 2.7GHz,
500W, IP67, 80 V Max., 1mJ, 20kA, Filter, Low PIM -173 dBc



TSXDC-4310FF



PolyPhaser protects and increases the reliability of global RF communications networks, including transportation, telecommunications, defense, security and industrial applications, with superior RF surge protection technologies including DC Block, DC Pass and Ultra Low PIM. Backed by responsive service and expert technical support PolyPhaser continually expands its product offering and services to serve engineers' urgent needs for RF components in mission critical communication networks.

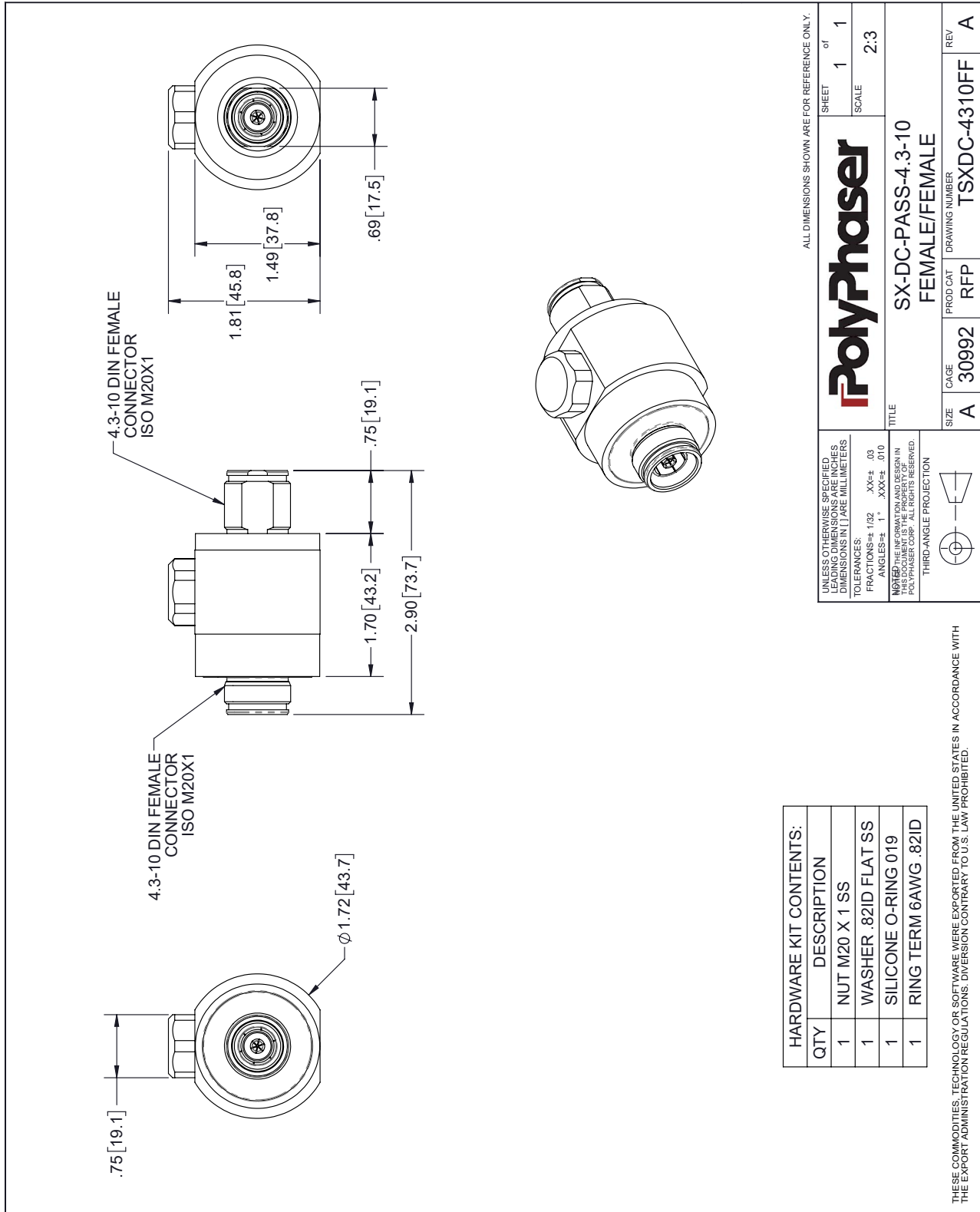
Click the following link (or enter part number in "SEARCH" on website) to obtain additional part information including price, inventory and certifications: [4.3-10 F/F Bulkhead Coaxial RF Surge Protector, 698MHz - 2.7GHz, 500W, IP67, 80 V Max., 1mJ, 20kA, Filter, Low PIM -173 dBc TSXDC-4310FF](https://www.polyphaser.com/4.3-10-surge-protector-2.7ghz-surge-filter-gas-tube-tsxdc-4310ff)

URL: <https://www.polyphaser.com/4.3-10-surge-protector-2.7ghz-surge-filter-gas-tube-tsxdc-4310ff>

The information contained in this document is accurate to the best of our knowledge and representative of the part described herein. It may be necessary to make modifications to the part and/or the documentation of the part, in order to implement improvements. PolyPhaser reserves the right to make such changes as required. Unless otherwise stated, all specifications are nominal. PolyPhaser does not make any representation or warranty regarding the suitability of the part described herein for any particular purpose, and PolyPhaser does not assume any liability arising out of the use of any part or documentation.

4.3-10 F/F Bulkhead Coaxial RF Surge Protector, 698MHz - 2.7GHz, 500W, IP67, 80 V Max., 1mJ, 20kA, Filter, Low PIM -173 dBc

TSXDC-4310FF CAD Drawing



HARDWARE KIT CONTENTS:	
QTY	DESCRIPTION
1	NUT M20 X 1 SS
1	WASHER .82ID FLAT SS
1	SILICONE O-RING 019
1	RING TERM 6AWG .82ID

THESE COMMODITIES, TECHNOLOGY OR SOFTWARE WERE EXPORTED FROM THE UNITED STATES IN ACCORDANCE WITH THE EXPORT ADMINISTRATION REGULATIONS. DIVERSION CONTRARY TO U.S. LAW PROHIBITED.

ALL DIMENSIONS SHOWN ARE FOR REFERENCE ONLY.

<p>UNLESS OTHERWISE SPECIFIED LEADING DIMENSIONS ARE INCHES DIMENSIONS IN [] ARE MILLIMETERS</p> <p>TOLERANCES: FRACTIONS± 1/32 .XXF± .03 ANGLES± 1° .XXX± .010</p> <p>NOTE: THE INFORMATION AND DESIGN IN THIS DRAWING IS THE PROPERTY OF POLYPHASER CORP. ALL RIGHTS RESERVED.</p> <p>THIRD-ANGLE PROJECTION</p>	<p>PolyPhaser</p>	SHEET	1	of	1
		SCALE		2:3	
TITLE		SX-DC-PASS-4.3-10 FEMALE/FEMALE			
SIZE	CAGE	PROD CAT	DRAWING NUMBER	REV	
A	30992	RFP	TSXDC-4310FF	A	