

7/16 F/M Bulkhead Coaxial RF Surge Protector, 300MHz - 1.2GHz, DC Block, 1000W, IP67, .005uJ, 40kA, Filter, Low PIM -155 dBc



TUSX-DFM

Features

- Surge current of 40kA
- Max Power 1kW
- Frequency range from 300 MHz to 1.2 GHz
- Waterproof IP67 rated
- 7/16 DIN Female to 7/16 DIN Male connectors
- DC Block
- VSWR <1.1:1
- Low insertion loss
- CE & RoHS compliant
- Bidirectional

Applications

- Cellular communication systems
- Public safety systems
- Emergency response systems
- Industrial Communications

Description

RF surge protector (also known as lightning arrester) TUSX-DFM from PolyPhaser utilizing a patented spiral inductor design enables an almost instantaneous response to a lightning surge to protect critical hardware while maintaining the RF performance. This RF surge protector component is manufactured in a coaxial in-line design with wide operating frequency range. All PolyPhaser RF surge protector products are available in stock with same day shipping.

Electrical Specifications

Surge Protector Type
DC Handling

Surge Filter
DC Block

Description	Minimum	Typical	Maximum	Units
Frequency Range	0.3		1.2	GHz
Impedance		50		Ohms
VSWR			1.1:1	
Insertion Loss			0.1	dB
Passive Intermodulation			-155	dBc
Input Power, CW			1	kWatts
Surge Current IEC 61000-4-5 8/20µs waveform			40	kA
Throughput Energy for 3kA @ 8/20µs waveform			5	nJ

Click the following link (or enter part number in "SEARCH" on website) to obtain additional part information including price, inventory and certifications:
[7/16 F/M Bulkhead Coaxial RF Surge Protector, 300MHz - 1.2GHz, DC Block, 1000W, IP67, .005uJ, 40kA, Filter, Low PIM -155 dBc TUSX-DFM](#)

7/16 F/M Bulkhead Coaxial RF Surge Protector, 300MHz - 1.2GHz,
DC Block, 1000W, IP67, .005uJ, 40kA, Filter, Low PIM -155 dBc



TUSX-DFM

Mechanical Specifications

Size

Length	3.32 in [84.33 mm]
Width/Diameter	1.73 in [43.94 mm]
Weight	1 lbs [453.59 g]
Housing Material and Plating	Brass

Configuration

Input Connector	7/16 DIN Female
Output Connector	7/16 DIN Male

Environmental Specifications

Temperature

Operating Range	-50 to 85 deg C
Storage Range	-50 to +85 deg C

Ingress Protection (IP) Rating	IP67
Vibration	1G at 5Hz to 100Hz

Compliance Certifications (see [product page](#) for current document)

Plotted and Other Data

Notes:

PolyPhaser protects and increases the reliability of global RF communications networks, including transportation, telecommunications, defense, security and industrial applications, with superior RF surge protection technologies including DC Block, DC Pass and Ultra Low PIM. Backed by responsive service and expert technical support PolyPhaser continually expands its product offering and services to serve engineers' urgent needs for RF components in mission critical communication networks.

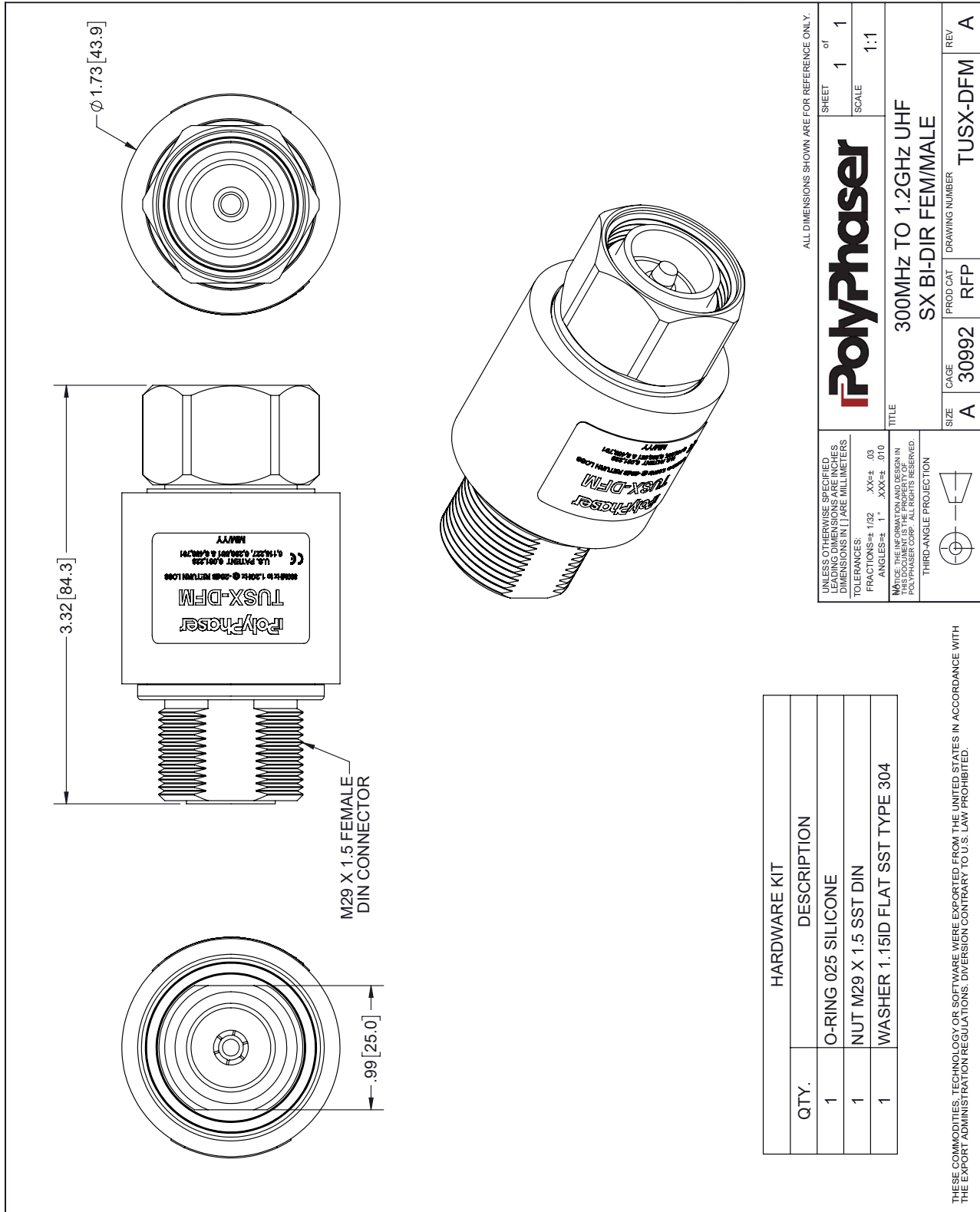
Click the following link (or enter part number in "SEARCH" on website) to obtain additional part information including price, inventory and certifications: [7/16 F/M Bulkhead Coaxial RF Surge Protector, 300MHz - 1.2GHz, DC Block, 1000W, IP67, .005uJ, 40kA, Filter, Low PIM -155 dBc TUSX-DFM](#)

URL: <https://www.polyphaser.com/7-16-din-surge-protector-1.2ghz-filter-tusx-dfm>

The information contained in this document is accurate to the best of our knowledge and representative of the part described herein. It may be necessary to make modifications to the part and/or the documentation of the part, in order to implement improvements. PolyPhaser reserves the right to make such changes as required. Unless otherwise stated, all specifications are nominal. PolyPhaser does not make any representation or warranty regarding the suitability of the part described herein for any particular purpose, and PolyPhaser does not assume any liability arising out of the use of any part or documentation.

7/16 F/M Bulkhead Coaxial RF Surge Protector, 300MHz - 1.2GHz, DC Block, 1000W, IP67, .005uJ, 40kA, Filter, Low PIM -155 dBc

TUSX-DFM CAD Drawing



HARDWARE KIT	
QTY.	DESCRIPTION
1	O-RING 025 SILICONE
1	NUT M29 X 1.5 SST DIN
1	WASHER 1.15ID FLAT SST TYPE 304

THESE COMMODITIES, TECHNOLOGY OR SOFTWARE WERE EXPORTED FROM THE UNITED STATES IN ACCORDANCE WITH THE EXPORT ADMINISTRATION REGULATIONS. DIVERSION CONTRARY TO U.S. LAW PROHIBITED.

ALL DIMENSIONS SHOWN ARE FOR REFERENCE ONLY.

UNLESS OTHERWISE SPECIFIED LEADING DIMENSIONS ARE INCHES DIMENSIONS IN [] ARE MILLIMETERS	SHEET	1	of	1	
	TOLERANCES:	FRACTIONS: 1/32 .XX± .03			SCALE
ANGLES: 1° .XXX± .010	THIRD-ANGLE PROJECTION				
TITLE					
300MHz TO 1.2GHz UHF SX BI-DIR FEM/MALE					
SIZE	CAGE	PROD CAT	DRAWING NUMBER	REV	
A	30992	RFP	TUSX-DFM	A	

PolyPhaser